



Off-Cut Remover

# Hektor 2/3

## Spare Parts List for the following products

Description	Type
Off-Cut Remover	Hektor 2
Off-Cut Remover	Hektor 3

**Edition:** 9/2008 - Part No. 9008721

### Copyright

This documentation as well as translation hereof are property of cab Produkttechnik GmbH & Co. KG.

The replication, conversion, duplication or divulgement of the whole manual or parts of it for other intentions than its original intended purpose - in particular the procurement of spare parts for products sold by cab – demand the previous written authorisation by cab.

### Editor

Regarding questions or comments please contact cab Produkttechnik GmbH & Co. KG.

### Topicality

Due to the constant further development of our products discrepancies between documentation and product can occur.

Please check [www.cabgmbh.com](http://www.cabgmbh.com) for the latest update.

### Terms and conditions

Deliveries and performances are effected under the "General conditions of sale of cab"

#### Germany

cab Produkttechnik  
GmbH & Co KG  
Postfach 1904  
D-76007 Karlsruhe  
Wilhelm-Schickard-Str. 14  
D-76131 Karlsruhe  
Telefon +49 721 6626-0  
Telefax +49 721 6626-249  
[www.cab.de](http://www.cab.de)  
[info@cab.de](mailto:info@cab.de)

#### France

cab technologies s.a.r.l.  
Z.A. Nord du Val de Moder  
F-67350 Niedermodern  
Téléphone +33 388 722 501  
[www.cab-technologies.fr](http://www.cab-technologies.fr)  
[info@cab-technologies.fr](mailto:info@cab-technologies.fr)

#### Spain

cab España S.L.  
Josep Pla 9, 6º, 2a  
E-08304 Mataró (Barcelona)  
Teléfono +34 937 414 605  
Teléfax +34 937 414 731  
[www.cab.de](http://www.cab.de)  
[info@cabsl.com](mailto:info@cabsl.com)

#### USA

cab Technology Inc.  
90 Progress Avenue Unit #2  
Tyngsboro MA, 01879  
Phone +1 978 649 0293  
[www.cabtechn.com](http://www.cabtechn.com)  
[info@cabtechn.com](mailto:info@cabtechn.com)

#### South Afrika

cab Technology (Pty.) Ltd.  
14, Republic Road  
2125 Randburg  
Phone +27 11-886-3580  
Fax +27 11-789-3913  
[www.cab.de](http://www.cab.de)  
[info@cabtech.co.za](mailto:info@cabtech.co.za)

#### Asia 亞洲分公司

希愛比科技股份有限公司

cab Technology Co, Ltd.

台灣台北縣板橋市

民生路一段33號十九樓之一

19F-1, No. 33, Sec. 1,

Min Sheng Road

Panchiao 220,

Taipei, Taiwan, R.O.C.

電話 Phone +886 2 2950 9185



網址 [www.cabasia.net](http://www.cabasia.net)

詢問 [cabasia@cabgmbh.com](mailto:cabasia@cabgmbh.com)







Other subsidiaries on request


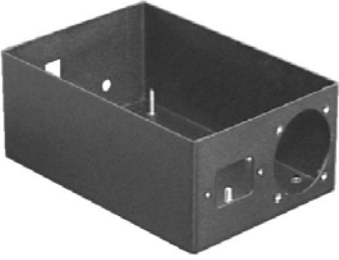






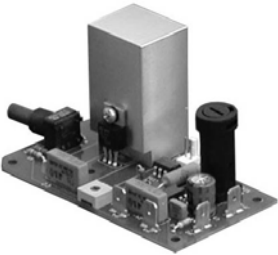



	8932137.001 8932138.001 8932139.001 8932144.001 8932191.001
	8932122.001 8932123.001 8932124.001 8932125.001 8932141.001
	5909015.001















	5902159.001
	8932171.001
	8932188.001
	5902002.001

	Hektor 2	8932129.001
	Hektor 3	-
	Hektor 2	-
	Hektor 3	8932692.001

	8932102.001
	5903053.001
	5903088.001
	5903035.001
	8932189.001
	5905422.001
	5905423.001
	8932979.001
	5905465.001
	5902316.001

	8932182.001
	5905423.001
	5905261.001
	5905256.001
	5905427.001
	5904507.001
	5909003.001

	Hektor 2	-
	Hektor 3	8932694.001
	Hektor 2	-
	Hektor 3	8932685.001
	Hektor 2	-
	Hektor 3	5902157.001
	Hektor 2	-
	Hektor 3	5917205.001
	Hektor 2	-
	Hektor 3	5902029.001
	Hektor 2	-
	Hektor 3	5917193.001
	Hektor 2	-
	Hektor 3	5905143.001
	Hektor 2	-
	Hektor 3	5902505.001
	Hektor 2	-
	Hektor 3	5903004.001
	Hektor 2	-
	Hektor 3	8932975.001
	Hektor 2	-
	Hektor 3	5900514.001
	Hektor 2	-
	Hektor 3	8932682.001
	Hektor 2	-
	Hektor 3	8932683.001

	Hektor 2	-
	Hektor 3	5534176.001
	Hektor 2	-
	Hektor 3	5903033.001
	Hektor 2	-
	Hektor 3	5902510.001
	Hektor 2	-
	Hektor 3	5903011.001
	Hektor 2	-
	Hektor 3	8932962.001
		8932697.001
	Hektor 2	5903005.001
	Hektor 3	5903520.001
	Hektor 2	5902034.001
	Hektor 3	5902033.001
		5905399.001
		8932978.001
		5905400.001
		5905401.001
		5905423.001
		8932961.001

## Spare Parts Register

Pos.	Figure/Page	Part No.	Description	PU	SPR				Serial No.	
									from	to
1		4	5534176.001	Cable	1					
2		4	5900514.001	Spacer Bushing PA M3x8	10					
3	3		5902002.001	Screw DIN912-M4x10	10					
4		4	5902029.001	Screw DIN7991-M3x8	10					
5		4	5902033.001	Screw DIN7985-M4x12	10					
6		4	5902034.001	Screw DIN7985-M4x8	10					
7		4	5902157.001	Screw DIN7985-M3x12	10					
8	3		5902159.001	Screw DIN912-M5x12	10					
9	3		5902316.001	Flush Screw DIN7991-M6x60	10					
10		4	5902505.001	Nut DIN934-M3	10					
11		4	5902510.001	Nut DIN934-M4	10					
12		4	5903004.001	Washer DIN125-A3.2	10					
13		4	5903005.001	Washer DIN9021-4.3	10					
14		4	5903011.001	Toothed Washer DIN6797-A4.3	10					
15		4	5903033.001	Washer DIN125-A4.3	10					
16	3		5903035.001	Washer DIN988-8x14x1.0	10					
17	3		5903053.001	Washer DIN988-8x14x0.1	10					
18	3		5903088.001	Washer DIN988-8x14x0.3	10					
19		4	5903520.001	Washer DIN7349-4.3	10					
20	3		5904507.001	Set Screw DIN916-M4x10	10					
21		4	5905143.001	Power Switch	1				D	
22	3		5905256.001	Threaded L-Fitting	1					
23	3		5905261.001	Sealing Ring	10			C	D	
24		4	5905399.001	Coupling Plug	1					
25		4	5905400.001	Foot Switch	1			C	D	
26		4	5905401.001	Silencer	1			C	D	
27	3		5905422.001	Short Stroke Cylinder	1					
28	3	4	5905423.001	Push-in/threaded Fitting	1					
29	3		5905427.001	Pressure Regulator	1				D	
30	3		5905465.001	Push-in/threaded Fitting M14x1	1					
31		4	5917193.001	Power Filter	1				D	
32		4	5917205.001	Power Socket	1				D	
33	3		8932102.001	Adapter cpl.	1					
34	3		8932122.001	Blade 1.5 L	1	A	B	C	D	
35	3		8932123.001	Blade 2.0 L	1	A	B	C	D	
36	3		8932124.001	Blade 2.5 L	1	A	B	C	D	
37	3		8932125.001	Blade 3.0 L	1	A	B	C	D	
38	3		8932129.001	Pane	1					
39	3		8932137.001	Blade 1.5 T	1	A	B	C	D	
40	3		8932138.001	Blade 2.0 T	1	A	B	C	D	
41	3		8932139.001	Blade 2.5 T	1	A	B	C	D	
42	3		8932141.001	Blade 2.4 L	1	A	B	C	D	
43	3		8932144.001	Blade 3.0 T	1	A	B	C	D	
44	3		8932171.001	Matrix	1	A	B	C	D	
45	3		8932182.001	Baseplate	1					
46	3		8932188.001	Holder cpl.	1			C	D	
47	3		8932189.001	Plate	1					
48	3		8932191.001	Blade 2.4 T	1	A	B	C	D	
49		4	8932682.001	Cable	1					
50		4	8932683.001	Cable	1					
51		4	8932685.001	Bonnet	1					
52	3		8932692.001	Adapter cpl.	1					
53		4	8932694.001	Distance Bolt	1					
54		4	8932697.001	Baseplate cpl.	1					
55		4	8932961.001	Tube cpl.	1					
56		4	8932962.001	Cable	1			C	D	
57		4	8932975.001	PCB Rotation Speed Control assem.	1		B	C	D	
58		4	8932978.001	Tube	1					
59	3		8932979.001	Tube	1					

PU Package unit

SPR Recommendation

A - wearing parts and accessories

B - recommended spare parts for quick repair

C - recommended spare parts for distributors

D - recommended spare parts for central stores

### Technical Documents

Pos.	Figure/Page	Part No.	Description	PU	SPR	Serial No.	
						from	to
60		9008118.001	Operator's Manual Hektor 2/3 G/E	1			

### Packaging/Accessories

Pos.	Figure/Page	Part No.	Description	PU	SPR	Serial No.	
						from	to
61	3	5909003.001	Key DIN911-4	1			
62	3	5909015.001	Key DIN911-3	1			
63		8932133.001	Packaging	1			

PU Package unit

SPR Recommendation

A - wearing parts and accessories

B - recommended spare parts for quick repair

C - recommended spare parts for distributors

D - recommended spare parts for central stores