

# Spare Parts List



PCB Separator

# MAESTRO 4S

## for the following products

Description	Type
PCB Separator	MAESTRO 4S

**Edition:** 11/2014 **Part No.:** 900969

**Copyright**

This documentation as well as translation hereof are property of cab Produkttechnik GmbH & Co. KG.

The replication, conversion, duplication or divulgement of the whole manual or parts of it for other intentions than its original intended purpose demand the previous written authorization by cab.

**Editor**

Regarding questions or comments please contact cab Produkttechnik GmbH & Co. KG.

**Topicality**

Due to the constant further development of our products discrepancies between documentation and product can occur. Please check [www.cab.de](http://www.cab.de) for the latest update.

**Terms and conditions**

Deliveries and performances are effected under the General conditions of sale of cab.

**Table of Contents**

1	Spare Parts Drawings .....	3
1.1	Side Parts C Profile, Linear Blade.....	3
1.2	Main Motor .....	4
1.3	Upper Beam, Control Panel .....	5
1.4	Power Supply .....	6
1.5	Carriage With Roller Blade.....	7
2	Spare Parts Index .....	8
2.1	Spare Parts .....	8
2.2	Packaging/Accessories .....	10

**Germany**

cab Produkttechnik  
GmbH & Co KG  
Postfach 1904  
D-76007 Karlsruhe  
Wilhelm-Schickard-Str. 14  
D-76131 Karlsruhe  
Telefon +49 721 6626-0  
Telefax +49 721 6626-249  
[www.cab.de](http://www.cab.de)  
[info@cab.de](mailto:info@cab.de)

**France**

cab technologies s.a.r.l.  
F-67350 Niedermodern  
Téléphone +33 388 722 501  
[www.cab.de/fr](http://www.cab.de/fr)  
[info.fr@cab.de](mailto:info.fr@cab.de)

**USA**

cab Technology Inc.  
Tyngsboro MA, 01879  
Phone +1 978 649 0293  
[www.cab.de/us](http://www.cab.de/us)  
[info.us@cab.de](mailto:info.us@cab.de)

**South Africa**

cab Technology (Pty.) Ltd.  
2125 Randburg  
Phone +27 11-886-3580  
[www.cab.de/za](http://www.cab.de/za)  
[info.za@cab.de](mailto:info.za@cab.de)

**Asia 亚洲**

cab Technology Co., Ltd.  
希愛比科技股份有限公司  
Junghe, Taipei, Taiwan  
Phone +886 2 8227 3966  
[www.cab.de/tw](http://www.cab.de/tw)  
[info.asia@cab.de](mailto:info.asia@cab.de)

**China 中国**

cab (Shanghai)Trading Co., Ltd.  
铠博(上海)贸易有限公司  
Phone +86 21 6236-3161  
[www.cab.de/cn](http://www.cab.de/cn)  
[info.cn@cab.de](mailto:info.cn@cab.de)

Representatives in other countries on request

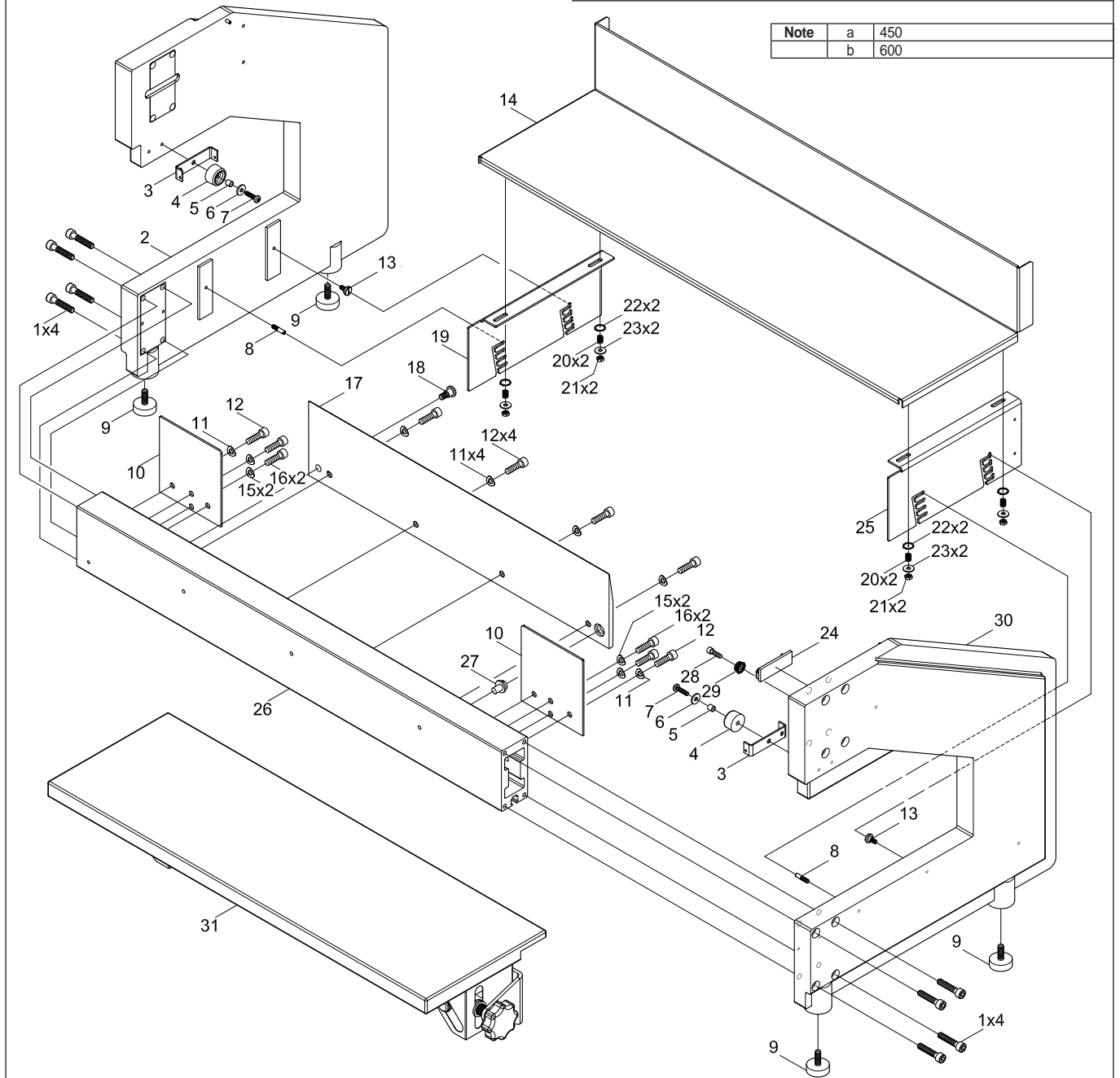
# 1 Spare Parts Drawings

## 1.1 Side Parts C Profile, Linear Blade

No	Part No.	Description	PU	Note	Serial No.	
					from	to
1	5902082.001	Screw DIN912-M6x30	10			
2	8936866.001	C Profile	1			
3	8930823.001	Bracket	1			
4	5905141.001	Foot	5			
5	8930946.001	Bushing	1			
6	5903520.001	Washer DIN7349-4.3	10			
7	5902052.001	Screw DIN7985 M4x16	10			
8	8930818.001	Set Screw	10			
9	5905372.001	Buffer	1			
10	8930949.001	Blade Shield	1			
11	5903010.001	Spring Washer DIN137-A6	10			
12	5902169.001	Screw DIN912-M6x14	10			
13	8930646.001	Knurled Screw	1			
14.1	8930884.001	Table	1	a		
14.2	8931182.001	Table	1	b		
15	5903012.001	Spring Washer DIN137-A5	10			
16	5902159.001	Screw DIN912-M5x12	10			

No	Part No.	Description	PU	Note	Serial No.	
					from	to
17.1	8933394.001	Linear Blade	1	a		
17.2	8933682.001	Linear Blade	1	b		
18	5902122.001	Screw DIN923-M6x6	10			
19	8930886.001	Comb	1			
20	5905079.001	Spring	1			
21	5902501.001	Nut DIN934-M4	10			
22	5903527.001	Snap Ring DIN471-10x1	10			
23	5903005.001	Washer DIN9021-4.3	10			
24	5901561.001	Cable Clamp	10			
25	8930885.001	Comb	1			
26.1	8930959.001	Beam	1	a		
26.2	8931185.001	Beam	1	b		
27	8930605.001	Eccentric Axle	1			
28	5902241.001	Screw DIN7984-M4x10	10			
29	5905116.001	Ground Button	1			
30	8936864.001	C Profile	1			
31.1	8931120.001	Adjustable Platform	1	a		
31.2	8931186.001	Adjustable Platform	1	b		

Note	a	450
	b	600

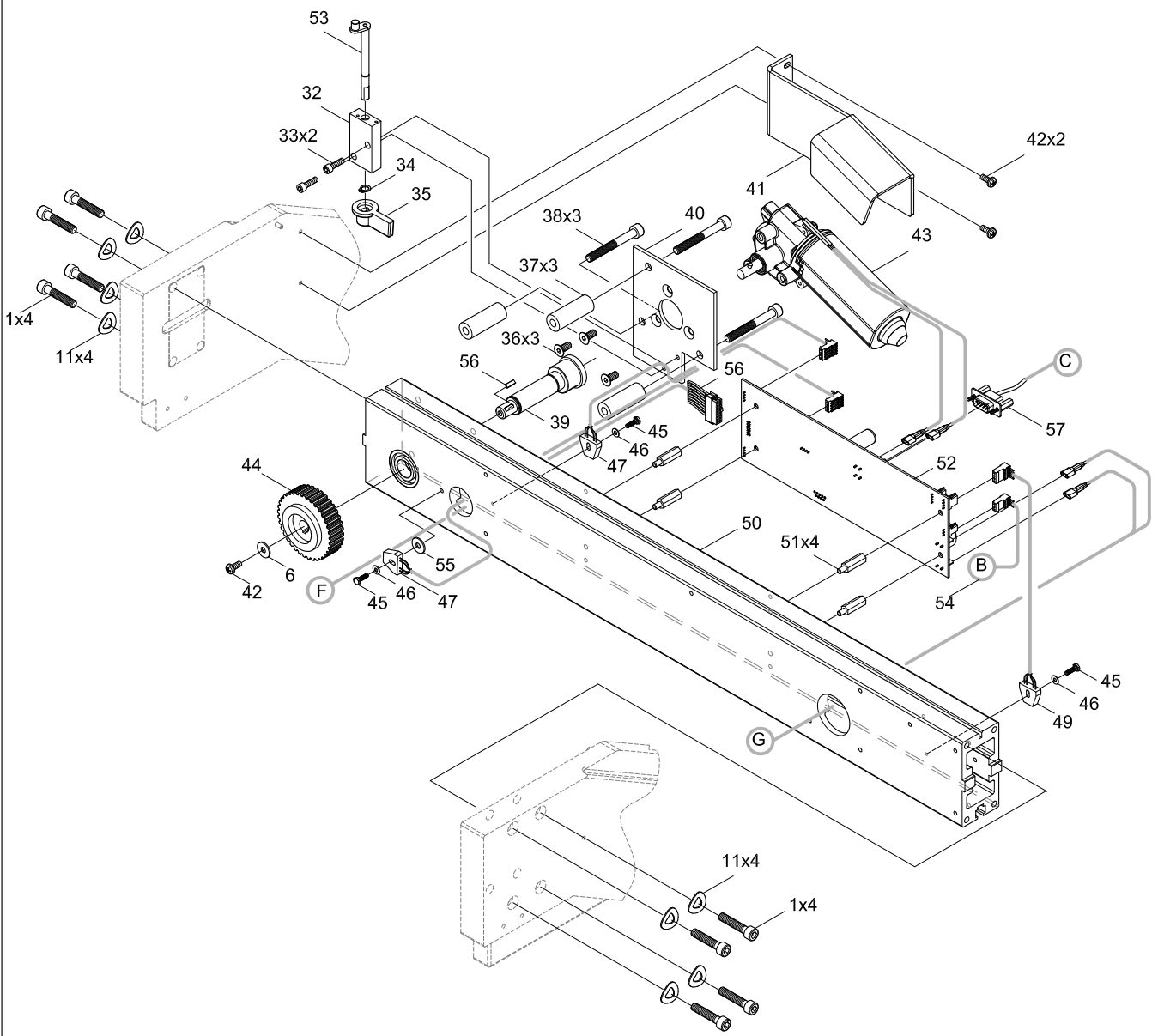


1.2 Main Motor

No	Part No.	Description	PU	Note	Serial No.	
					from	to
1	5902082.001	Screw DIN912-M6x30	10			
6	5903520.001	Washer DIN7349-4.3	10			
11	5903010.001	Spring Washer DIN137-A6	10			
32	8930988.001	Bearing Plate	1			
33	5902014.001	Screw DIN912-M4x14	10			
34	5903521.001	Snap Ring DIN471-A6	10			
35	5530340.001	Lever	1			
36	5902161.001	Screw DIN7991 M6x10	10			
37	8930857.001	Spacer	1			
38	5902263.001	Screw DIN912-M6x50	10			
39	8936883.001	Hub	1			
40	8936855.001	Motor Plate	1			
41	8936877.001	Heatsink Bracket	1			
42	5902022.001	Screw DIN7985-M4x10	10			
43	8936856.001	Main Drive	1			
44	8930809.001	Gear 36	1			

No	Part No.	Description	PU	Note	Serial No.	
					from	to
45	5902245.001	Screw DIN933-M3x10	10			
46	5903004.001	Washer DIN125-A3.2	10			
47.1	8930916.001	Sensor	1	a		
47.2	8936916.001	Sensor	1	b		
49	8930915.001	Edge Sensor	1			
50.1	8936858.001	Beam	1	a		
50.2	8936898.001	Beam	1	b		
51	8936871.001	Bolt	1			
52	8936814.001	PCB Control	1			
53	8930985.001	Coupler	1			
54	8936896.001	Bushing	1			
55	5903062.001	Washer 3.2x9.0x1.5	10			
56	5903542.001	Woodruff Key DIN6888-3x3.7	1			
57.1	8936846.001	Energy Track	1	a		
57.2	8936847.001	Energy Track	1	b		

Note	a	450
	b	600

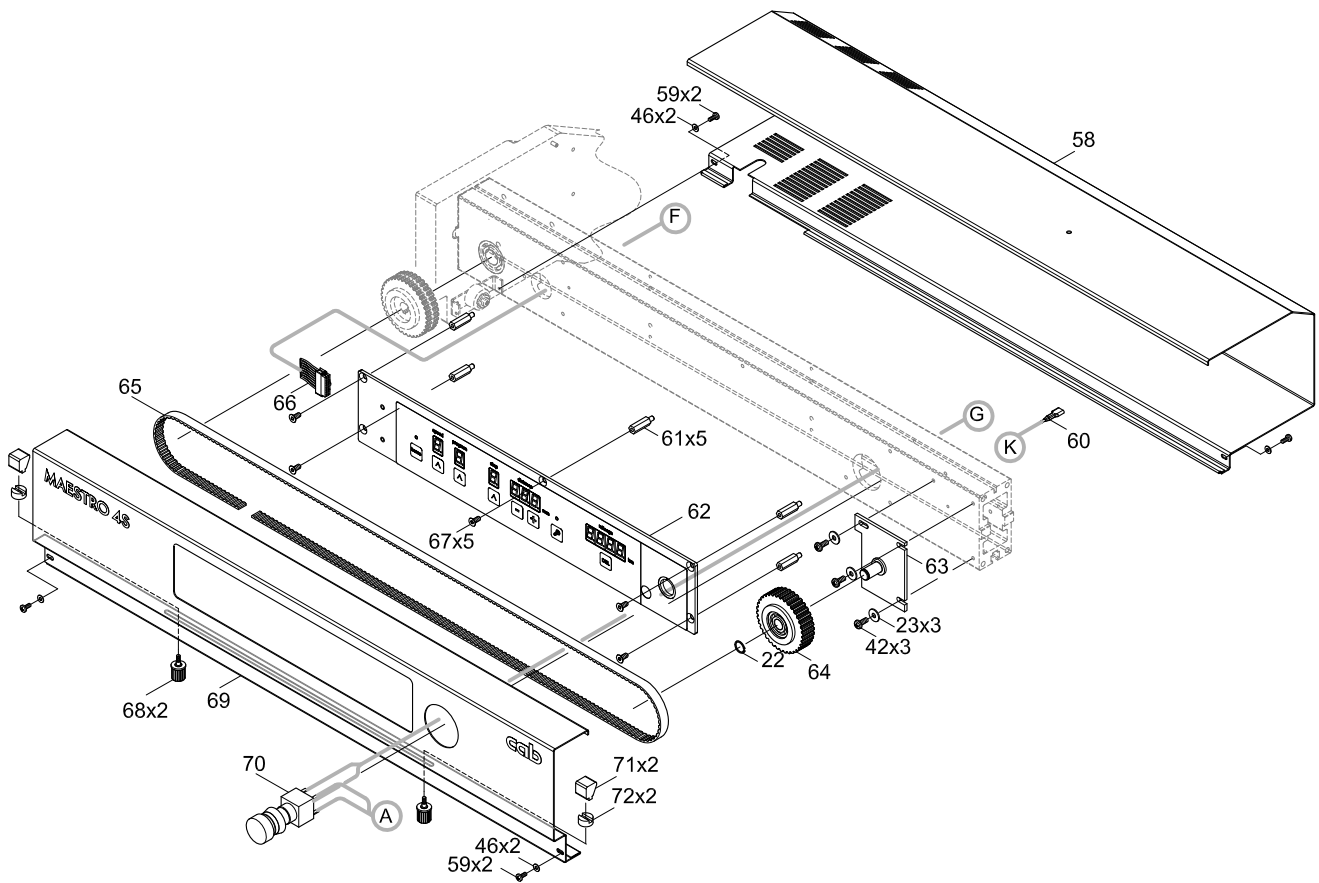


# 1 Spare Parts Drawings

## 1.3 Upper Beam, Control Panel

No	Part No.	Description	PU	Note	Serial No.	
					from	to
22	5903527.001	Snap Ring DIN471-10x1	10			
23	5903005.001	Washer DIN9021-4.3	10			
42	5902022.001	Screw DIN7985-M4x10	10			
46	5903004.001	Washer DIN125-A3.2	10			
58.1	8936822.001	Cover	1	a		
58.2	8936862.001	Cover	1	b		
59	5902026.001	Screw DIN7985-M3x6	10			
60	8930981.001	Cable Grounding	1			
61	8936871.001	Bolt	1			
62	8936870.001	Control Panel	1			
63	8930868.001	Tightener	1			
64	8930854.001	Tensioning Wheel	1			
65.1	8930961.001	Belt	1	a		
65.2	8931181.001	Belt	2	b		
66	8936804.001	Cable	1			
67	5902304.001	Screw DIN7991-M4x6	10			
68	8936834.001	Knurled Screw	1			
69.1	8936821.001	Cover	1	a		
69.2	8936867.001	Cover	1	b		
70	5917167.001	Emergency Switch	1			
71	8936837.001	Stopper	1			
72	8936891.001	Washer	1			

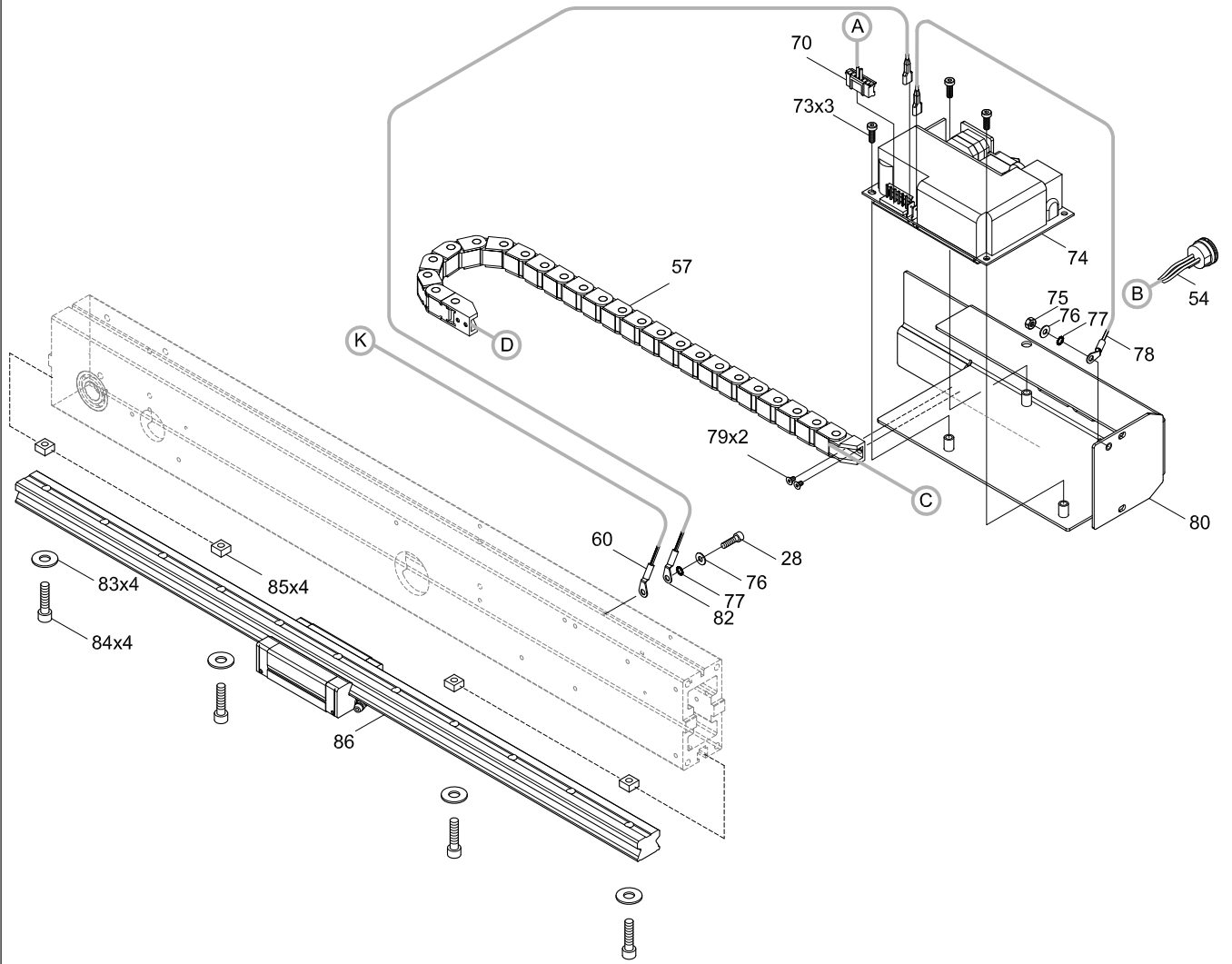
Note	a	450
	b	600



1.4 Power Supply

No	Part No.	Description	PU	Note	Serial No.	
					from	to
28	5902241.001	Screw DIN7984-M4x10	10			
54	8936896.001	Bushing	1			
57.1	8936846.001	Energy Track	1	a		
57.2	8936847.001	Energy Track	1	b		
60	8930981.001	Cable Grounding	1			
70	5917167.001	Emergency Switch	1			
73	5902358.001	Screw DIN7984-M4x6	10			
74	5551126.001	Power Supply	1			
75	5902510.001	Nut DIN934-M4	10			
76	5903033.001	Washer DIN125-A4.3	10			
77	5903011.001	Toothed Washer DIN6797-A4.3	10			
78	5534176.001	Cable Grounding	1			
79	5902047.001	Screw DIN7991-M3x5	10			
80	8936850.001	Bracket Power Supply	1			
82	8936844.001	Ground Cable	1			
83	5903028.001	Washer DIN433-6.4	10			
84	5902178.001	Screw DIN912-M6x20	10			
85	5902525.001	Nut DIN557-M6	10			
86.1	5905183.001	Guide L=640	1	a		
86.2	5905347.001	Guide L=780	1	b		

Note	a	450
	b	600



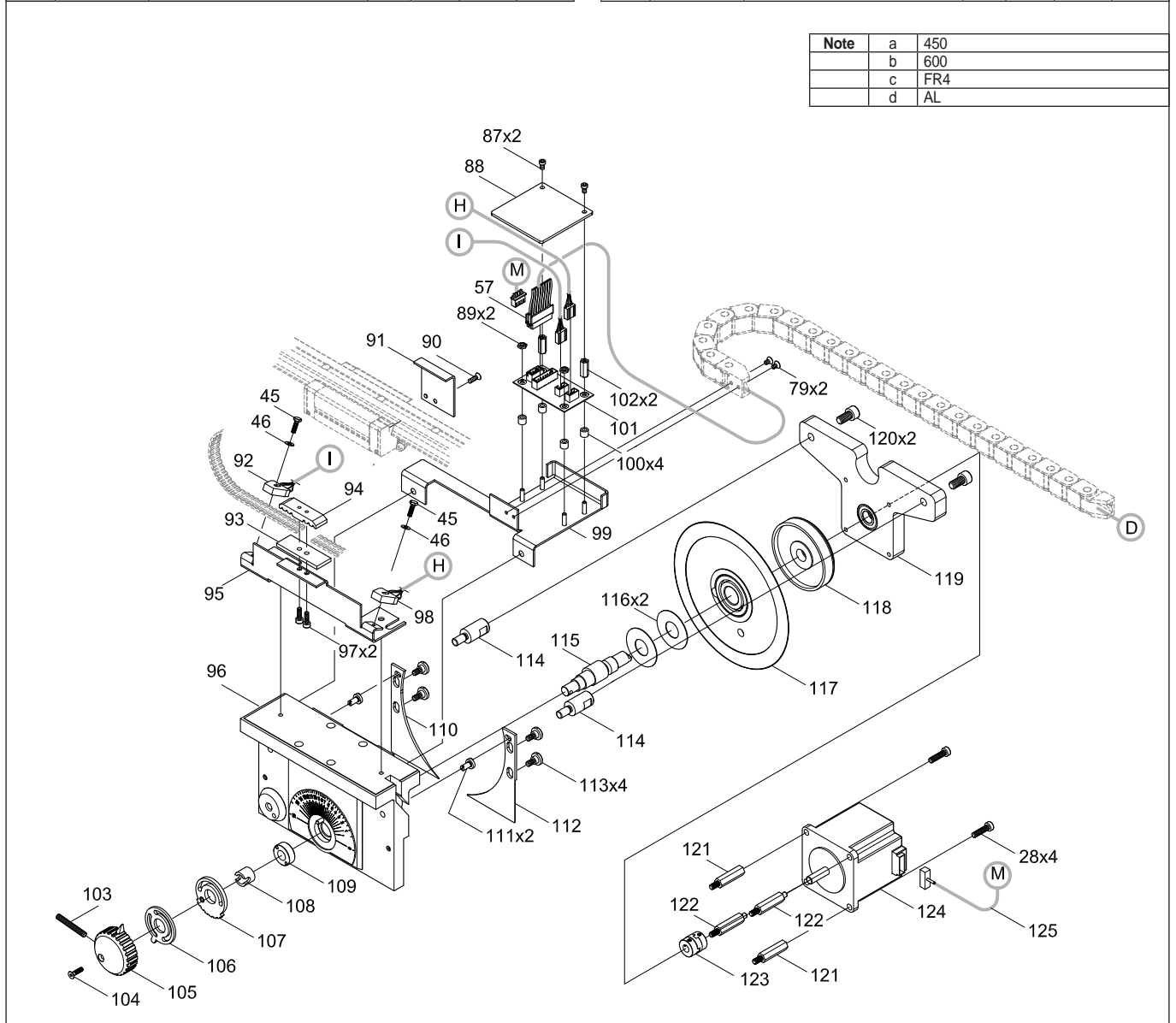
# 1 Spare Parts Drawings

## 1.5 Carriage With Roller Blade

No	Part No.	Description	PU	Note	Serial No.	
					from	to
28	5902241.001	Screw DIN7984-M4x10	10			
45	5902245.001	Screw DIN933-M3x10	10			
46	5903004.001	Washer DIN125-A3.2	10			
57.1	8936846.001	Energy Track	1	a		
57.2	8936847.001	Energy Track	1	b		
79	5902047.001	Screw DIN7991-M3x5	10			
87	5902144.001	Screw DIN7984-M3x5	10			
88	8936869.001	Cover	1			
89	5902521.001	Nut DIN439-M3	10			
90	5902056.001	Screw DIN965-M3x8	10			
91	8930852.001	Bracket	1			
92	8936809.001	Sensor	1			
93	8930901.001	Plate	1			
94	8930810.001	Fixing	1			
95	8936824.001	Bracket	1			
96	8936827.001	Carriage	1			
97	5902010.001	Screw DIN912-M3x10	10			
98	8936808.001	Sensor	1			
99	8936890.001	Holder	1			
100	5900516.001	Spacer Bushing PA M3x5	10			
101	8936817.001	PCB Splitter	1			
102	5900073.001	Distance Bolt M3x14	10			
103	5904527.001	Set Screw DIN913 M4x30	10			

No	Part No.	Description	PU	Note	Serial No.	
					from	to
104	5902030.001	Screw DIN7991-M3x12	10			
105	8931628.001	Set Knob	1			
106	8931627.001	Guide Washer	1			
107	8931630.001	Plate	1			
108	8936841.001	Bushing	1			
109	8936832.001	Nut	1			
110	8936615.001	Shield	1			
111	8936643.001	Eccentric Axle	1			
112	8936614.001	Shield	1			
113	8930590.001	Screw	1			
114	8936833.001	Guiding	1			
115	8936831.001	Bolt	1			
116	5903026.001	Washer DIN988-15x21x0.1	10			
117.1	8930509.001	Circular Blade	1	c		
117.2	8936895.001	Circular Blade	1	d		
118	8936886.001	Knurled Nut	1			
119	8936843.001	Motor Bracket	1			
120	5902137.001	Screw DIN912-M6x12	10			
121	5900061.001	Distance Bolt M4x25	10			
122	8936888.001	Distance Bolt	1			
123	8936778.001	Slipping Clutch	1			
124	8936914.001	Motor	1			
125	8936807.001	Cable	1			

Note	a	450
	b	600
	c	FR4
	d	AL



## 2.1 Spare Parts

Pos	Figure/Page				No.	Part No.	Description	PU	SPR				Notes	Serial No.	
1		4			35	5530340.001	Lever	1			C	D			
2				6	75	5534176.001	Cable Grounding	1							
3				6	74	5551126.001	Power Supply	1		B	C	D			
4					7	120	5900061.001	Distance Bolt M4x25	10						
5					7	102	5900073.001	Distance Bolt M3x14	10						
6					7	100	5900516.001	Spacer Bushing PA M3x5	10						
7	3				24	5901561.001	Cable Clamp	10							
8					7	96	5902010.001	Screw DIN912-M3x10	10						
9		4				33	5902014.001	Screw DIN912-M4x14	10						
10		4	5			42	5902022.001	Screw DIN7985-M4x10	10						
11			5			68	5902026.001	Screw DIN7985-M3x6	10						
12					7	104	5902030.001	Screw DIN7991-M3x12	10						
13				6	7	76	5902047.001	Screw DIN7991-M3x5	10						
14	3					7	5902052.001	Screw DIN7985 M4x16	10						
15					7	88	5902056.001	Screw DIN965-M3x8	10						
16	3	4	5			1	5902082.001	Screw DIN912-M6x30	10						
17		4				36	5902086.001	Screw DIN965 M6x10	10						
18	3					18	5902122.001	Screw DIN923-M6x6	10						
19					7	118	5902137.001	Screw DIN912-M6x12	10						
20					7	98	5902144.001	Screw DIN7984-M3x5	10						
21	3					16	5902159.001	Screw DIN912-M5x12	10						
22	3					12	5902169.001	Screw DIN912-M6x14	10						
23				6		84	5902178.001	Screw DIN912-M6x20	10						
24	3			6	7	28	5902241.001	Screw DIN7984-M4x10	10						
25		4			7	45	5902245.001	Screw DIN933-M3x10	10						
26		4				38	5902263.001	Screw DIN912-M6x50	10						
27			5			62	5902304.001	Screw DIN7991-M4x6	10						
28				6		72	5902358.001	Screw DIN7984-M4x6	10						
29	3					21	5902501.001	Nut DIN934-M4	10						
30				6		78	5902510.001	Nut DIN934-M4	10						
31			5		7	58	5902521.001	Nut DIN439-M3	10						
32				6		82	5902525.001	Nut DIN557-M6	10						
33		4	5		7	46	5903004.001	Washer DIN125-A3.2	10						
34	3		5			23	5903005.001	Washer DIN9021-4.3	10						
35	3	4				11	5903010.001	Spring Washer DIN137-A6	10						
36				6		77	5903011.001	Toothed Washer DIN6797-A4.3	10						
37	3					15	5903012.001	Spring Washer DIN137-A5	10						
38				6		83	5903028.001	Washer DIN433-6.4	10						
39				6		79	5903033.001	Washer DIN125-A4.3	10						
40	3					6	5903520.001	Washer DIN7349-4.3	10						
41		4				34	5903521.001	Snap Ring DIN471-A6	10						
42	3		5			22	5903527.001	Snap Ring DIN471-10x1	10						
43					7	103	5904527.001	Set Screw DIN913 M4x30	10						
44	3					20	5905079.001	Spring	1						
45	3					29	5905116.001	Ground Button	1						
46	3					4	5905141.001	Foot	5			D			
47				6		85.1	5905183.001	Guide L=640	1				a		
48				6		85.2	5905347.001	Guide L=780	1				b		
49	3					9	5905372.001	Buffer	1			D			
50			5	6		67	5917167.001	Emergency Switch	1			C	D		
51				6		73	5949727.001	Distance Bolt M4x10	1						
52					7	121	5953600.001	Stepping Motor	1		B	C	D		

PU Package unit

Notes a - MAESTRO 4S/450  
b - MAESTRO 4S/600  
c - for FR4 PCB  
d - for Aluminium PCB

SPR Recommendation

A - wearing parts and accessories  
B - recommended spare parts for quick repair  
C - recommended spare parts for distributors  
D - recommended spare parts for central stores



## 2 Spare Parts Index

### 2.1 Spare Parts

Pos	Figure/Page				No.	Part No.	Description	PU	SPR				Notes	Serial No.	
														from	to
53				7	114.1	8930509.001	Circular Blade	1	A	B	C	D	c		
54				7	113	8930590.001	Screw	1							
55	3				27	8930605.001	Eccentric Axle	1							
56	3				13	8930646.001	Knurled Screw	1							
57		4			44	8930809.001	Gear 36	1							
58				7	94	8930810.001	Fixing	1							
59	3				8	8930818.001	Set Screw	10							
60	3				3	8930823.001	Bracket	1							
61				7	89	8930852.001	Bracket	1							
62			5		60	8930854.001	Tensioning Wheel	1							
63		4			37	8930857.001	Spacer	1							
64			5		61	8930868.001	Tightener	1							
65	3				14.1	8930884.001	Table	1					a		
66	3				25	8930885.001	Comb	1							
67	3				19	8930886.001	Comb	1							
68				7	92	8930901.001	Plate	1							
69		4			49	8930915.001	Sensor	1		B	C	D			
70		4			47.1	8930916.001	Sensor	1		B	C	D	a		
71	3				5	8930946.001	Bushing	1							
72	3				10	8930949.001	Blade Shield	1		B	C	D			
73	3				26.1	8930959.001	Beam	1					a		
74			5		63.1	8930961.001	Belt	1			C	D	a		
75			5	6	123	8930981.001	Cable Grounding	1							
76		4			53	8930985.001	Coupler	1							
77		4			32	8930988.001	Bearing Plate	1							
78	3				31.1	8931120.001	Adjustable Platform	1					a		
79			5		63.2	8931181.001	Belt	2			C	D	b		
80	3				14.2	8931182.001	Table	1					b		
81	3				26.2	8931185.001	Beam	1					b		
82	3				31.2	8931186.001	Adjustable Platform	1					a		
83				7	106	8931627.001	Guide Washer	1							
84				7	105	8931628.001	Set Knob	1							
85				7	107	8931630.001	Plate	1							
86	3				17.1	8933394.001	Linear Blade	1	A	B	C	D	a		
87	3				17.2	8933682.001	Linear Blade	1	A	B	C	D	b		
88				7	111	8936614.001	Shield	1		B	C	D			
89				7	112	8936615.001	Shield	1		B	C	D			
90				7	110	8936643.001	Eccentric Axle	1							
91				7	119	8936778.001	Slipping Clutch	1							
92			5		56	8936804.001	Cable	1							
93				7	95	8936808.001	Edge Sensor	1		B	C	D			
94				7	91	8936809.001	Edge Sensor	1		B	C	D			
95			5		64	8936811.001	PCB Control Panel	1			C	D			
96		4			52	8936814.001	PCB Control	1			C	D			
97				7	101	8936817.001	PCB Splitter	1			C	D			
98			5		66.1	8936821.001	Cover	1					a		
99			5		55.1	8936822.001	Cover	1					a		
100			5		65	8936823.001	Foil	1							
101				7	93	8936824.001	Bracket	1							
102				7	90	8936827.001	Carriage	1							
103				7	116	8936831.001	Bolt	1							
104				7	109	8936832.001	Nut	1							

PU Package unit

SPR Recommendation

- A - wearing parts and accessories
- B - recommended spare parts for quick repair
- C - recommended spare parts for distributors
- D - recommended spare parts for central stores

Notes a - MAESTRO 4S/450  
 b - MAESTRO 4S/600  
 c - for FR4 PCB  
 d - for Aluminium PCB

## 2.1 Spare Parts

Pos	Figure/Page				No.	Part No.	Description	PU	SPR				Notes	Serial No.	
														from	to
105				7	97	8936833.001	Guiding	1							
106		5			71	8936834.001	Knurled Screw	1							
107		5			69	8936837.001	Stopper	1							
108				7	108	8936841.001	Bushing	1							
109				7	117	8936843.001	Motor Bracket	1							
110			6		81	8936844.001	Ground Cable	1							
111	4		6	7	86.1	8936846.001	Energy Track	1				a			
112	4		6	7	86.2	8936847.001	Energy Track	1				b			
113			6		80	8936850.001	Bracket Power Supply	1							
114	4				40	8936855.001	Motor Plate	1							
115	4				43	8936856.001	Main Drive	1		B	C	D			
116	4				50.1	8936858.001	Beam	1					a		
117		5			55.2	8936862.001	Cover	1					b		
118	3				30	8936864.001	C Profile	1							
119	3				2	8936866.001	C Profile	1							
120		5			66.2	8936867.001	Cover	1					b		
121				7	87	8936869.001	Cover	1							
122	4	5			51	8936871.001	Bolt	1							
123	4				41	8936877.001	Heatsink Bracket	1							
124	4				39	8936883.001	Hub	1							
125		5			59	8936884.001	Fence	1							
126				7	115	8936886.001	Knurled Nut	1			C	D			
127				7	99	8936890.001	Holder	1							
128		5			70	8936891.001	Washer	1							
129		5			57	8936892.001	Spacer Bushing	10							
130				7	114.2	8936895.001	Circular Blade	1	A	B	C	D	d		
131	4		6		54	8936896.001	Bushing	1							
132	4				50.2	8936898.001	Beam	1					b		
133	4				47.2	8936916.001	Sensor	1					b		

## 2.2 Packaging/Accessories

Pos	Figure/Page				No.	Part No.	Description	PU	SPR				Notes	Serial No.	
														from	to
134						8930933.001	Food Switch	1							
135						5550611.001	Power Cable Type E+F	1							
136						5909002.001	Key DIN911-2	1							
137						5909014.001	Key DIN911-5	1							
138						8930891.001	Packaging	1					a		
139						8930943.001	Packaging	1					b		

PU Package unit

SPR Recommendation

A - wearing parts and accessories

B - recommended spare parts for quick repair

C - recommended spare parts for distributors

D - recommended spare parts for central stores

Notes a - MAESTRO 4S/450

b - MAESTRO 4S/600

c - for FR4 PCB

d - for Aluminium PCB