

Spare Parts List



PCB Separator

MAESTRO 3E

for the following products

Description	Type
PCB Separator	MAESTRO 3E

Edition: 9/2008 - Part No. 9008103

Copyright

This documentation as well as translation hereof are property of cab Produkttechnik GmbH & Co. KG.

The replication, conversion, duplication or divulgement of the whole manual or parts of it for other intentions than its original intended purpose - in particular the procurement of spare parts for products sold by cab – demand the previous written authorisation by cab.

Editor

Regarding questions or comments please contact cab Produkttechnik GmbH & Co. KG.

Topicality

Due to the constant further development of our products discrepancies between documentation and product can occur.

Please check www.cabgmbh.com for the latest update.

Terms and conditions

Deliveries and performances are effected under the "General conditions of sale of cab"

Germany

cab Produkttechnik
GmbH & Co KG
Postfach 1904
D-76007 Karlsruhe
Wilhelm-Schickard-Str. 14
D-76131 Karlsruhe
Telefon +49 721 6626-0
Telefax +49 721 6626-249
www.cab.de
info@cab.de

France

cab technologies s.a.r.l.
F-67350 Niedermodern
Téléphone +33 388 722 501
www.cab.de
info@cab-technologies.fr

España

cab España S.L.
E-08304 Montaró (Barcelona)
Teléfono +34 937 414 605
www.cab.de
info@cabsi.com

USA

cab Technology Inc.
Tyngsboro MA, 01879
Phone +1 978 649 0293
www.cabtechn.com
info@cabtechn.com

South Afrika

cab Technology (Pty.) Ltd.
2125 Randburg
Phone +27 11-886-3580
www.cab.de
info@cabtechn.co.za

Asia 亞洲分公司


希愛比科技股份有限公司
cab Technology Co, Ltd.
台灣台北縣板橋市民生路一段
Panchiao 220, Taipei, Taiwan
電話 Phone +886 2 2950-9185
網址 www.cabasia.net
詢問 cabasia@cab.de

China 中國

銳博(上海)貿易有限公司
cab (Shanghai) Trading Co., Ltd
上海市延安西路2299號11C60室
電話 Phone +86 21 6236-3161
詢問 cabasia@cab.de

Representatives in other countries on request.


	8931118.001
-----------------------------------------------------------------------------------	-------------

	5905183.001
	5903028.001
	5902178.001

	8931154.001
------------------------------------------------------------------------------------	-------------

	5903025.001
	8936645.001

Part only for machines from serial number 2000 !
For machines up to serial number 1999 please order the assembly part no. 8930908.001 !


	8930908.001
-------------------------------------------------------------------------------------	-------------

	5903023.001
-------------------------------------------------------------------------------------	-------------

	5902169.001
-------------------------------------------------------------------------------------	-------------

	8931617.001
-------------------------------------------------------------------------------------	-------------

	8930635.001
-------------------------------------------------------------------------------------	-------------


	8936614.001 ²⁾
------------------------------------------------------------------------------------	---------------------------


	8936615.001 ²⁾
------------------------------------------------------------------------------------	---------------------------

	5903010.001 ²⁾
------------------------------------------------------------------------------------	---------------------------

	8936643.001 ²⁾
------------------------------------------------------------------------------------	---------------------------

	8930590.001 ²⁾
------------------------------------------------------------------------------------	---------------------------

	8930602.001 ¹⁾
--------------------------------------------------------------------------------------	---------------------------

	8930603.001 ¹⁾
--------------------------------------------------------------------------------------	---------------------------

	5903047.001 ¹⁾
--------------------------------------------------------------------------------------	---------------------------


	5902048.001 ¹⁾
--------------------------------------------------------------------------------------	---------------------------





	5903003.001 ¹⁾
--------------------------------------------------------------------------------------	---------------------------


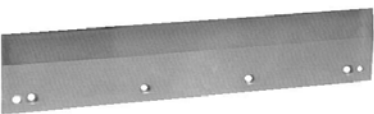



¹⁾ up to serial no. 1999
²⁾ from serial no. 2000




	5903082.001
--------------------------------------------------------------------------------------	-------------

	5902273.001
--------------------------------------------------------------------------------------	-------------




	8931623.001
--------------------------------------------------------------------------------------	-------------




	8931612.001
	5903026.001
	8930509.001
	8931626.001

	8930605.001
	8933394.001
	5903010.001
	5902169.001
	5902122.001

	8930949.001
	5903028.001
	5902169.001

  	8931120.001
 	8931130.001

	8931166.001
	5903037.001
	5902096.001

	8931165.001
	5903037.001
	5902096.001

	5909002.001
--------------------------------------------------------------------------------------	-------------

Pos.	Figure/Page		Part No.	Description	PU	SPR				Serial No.		
										from	to	
1	3		5902048.001	Screw DIN912-M4x8	10							
2		4	5902122.001	Screw DIN923-M6x6	10							
3	3	4	5902169.001	Screw DIN912-M6x14	10							
4	3		5902178.001	Screw DIN912-M6x20	10							
5	3		5902273.001	Screw DIN7985-M5x30	10							
6	3		5903003.001	Washer DIN125-A4.3	10							
7	3	4	5903010.001	Spring Washer DIN137-A6	10							
8	3		5903023.001	Lock Washer DIN127-B6	10							
9	3		5903025.001	Washer DIN988-6x12x0.2	10							
10		4	5903026.001	Washer DIN988-15x21x0.1	10							
11	3	4	5903028.001	Washer DIN433-6.4	10							
12	3		5903047.001	Washer DIN988-4x8x0.1	10							
13	3		5903082.001	Washer 5.3x11.5x1.4	10							
14	3		5905183.001	Guide L=640	1							
15		4	8930509.001	Circular (Upper) Blade	1	A	B	C	D			
16	3		8930590.001	Screw	1							
17	3		8930602.001	Shield 1	1	A	B	C	D		1999	
18	3		8930603.001	Shield 2	1	A	B	C	D		1999	
19		4	8930605.001	Eccentric Axle	1							
20	3		8930635.001	Handle cpl.	1							
21	3		8930908.001	Sliding Carriage mount.	1							
22		4	8930949.001	Blade Shield	1				D			
23	3		8931118.001	Frame cpl.	1							
24	3		8931154.001	Cover	1							
25		4	8931612.001	Washer	1							
26	3		8931617.001	Scale	1							
27	3		8931623.001	Adjusting Mechanism	1				D			
28		4	8931626.001	Knurled Nut cpl.	1				D			
29		4	8933394.001	Linear Blade	1	A	B	C	D			
30	3		8936614.001	Shield 1	1	A	B	C	D	2000		
31	3		8936615.001	Shield 2	1	A	B	C	D	2000		
32	3		8936643.001	Eccentric Axle	1					2000		
33	3		8936645.001	Sliding Carriage cpl.	1					2000		

Technical Documents

34			8930692.001	Operator's Manual MAESTRO 3E G/E/F	1							
----	--	--	-------------	------------------------------------	---	--	--	--	--	--	--	--

Packaging/Delivery Contents

35		4	5902096.001	Screw DIN7985-M5x12	10							
36		4	5903037.001	Washer DIN9021-5.3	10							
37			5909002.001	Key DIN911-2	1							
38		4	8931165.001	Filing Table	1							
39		4	8931166.001	Adjustable Platform	1							
40			8931209.001	Packaging	1							

Accessories

41		4	8931120.001	Adjustable Platform	1							
42		4	8931130.001	Filing Table	1							
43			8970208.001	Dial Gauge	1							

PU Package unit

SPR Recommendation

A - wearing parts and accessories

B - recommended spare parts for quick repair

C - recommended spare parts for distributors

D - recommended spare parts for central stores

This page is intentionally left blank.