

PCB-Magazine Series: 701 - 703 (alt), 704 (alt), 801 - 809 (alt)

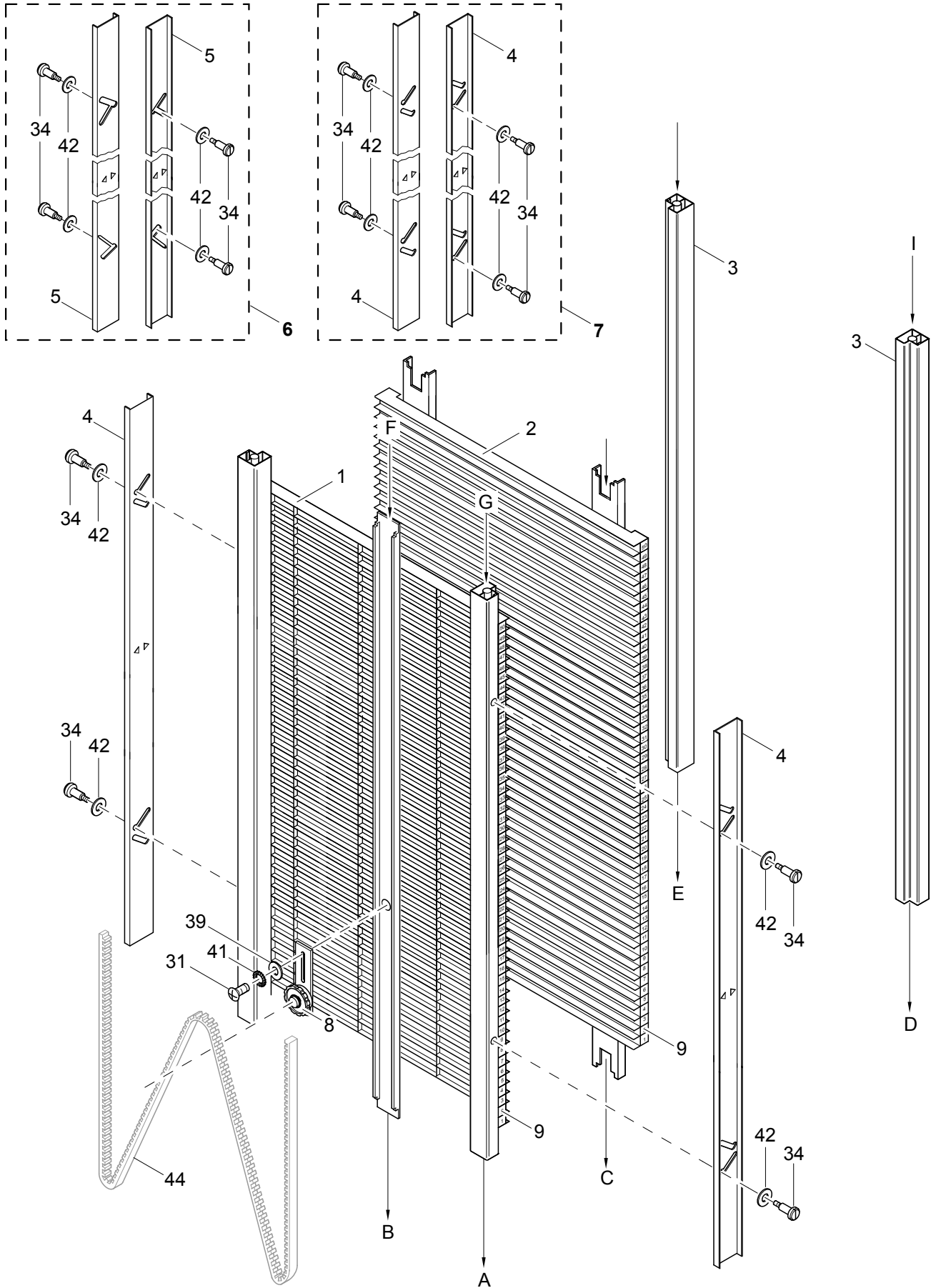
Series: 701.1 - 704.1

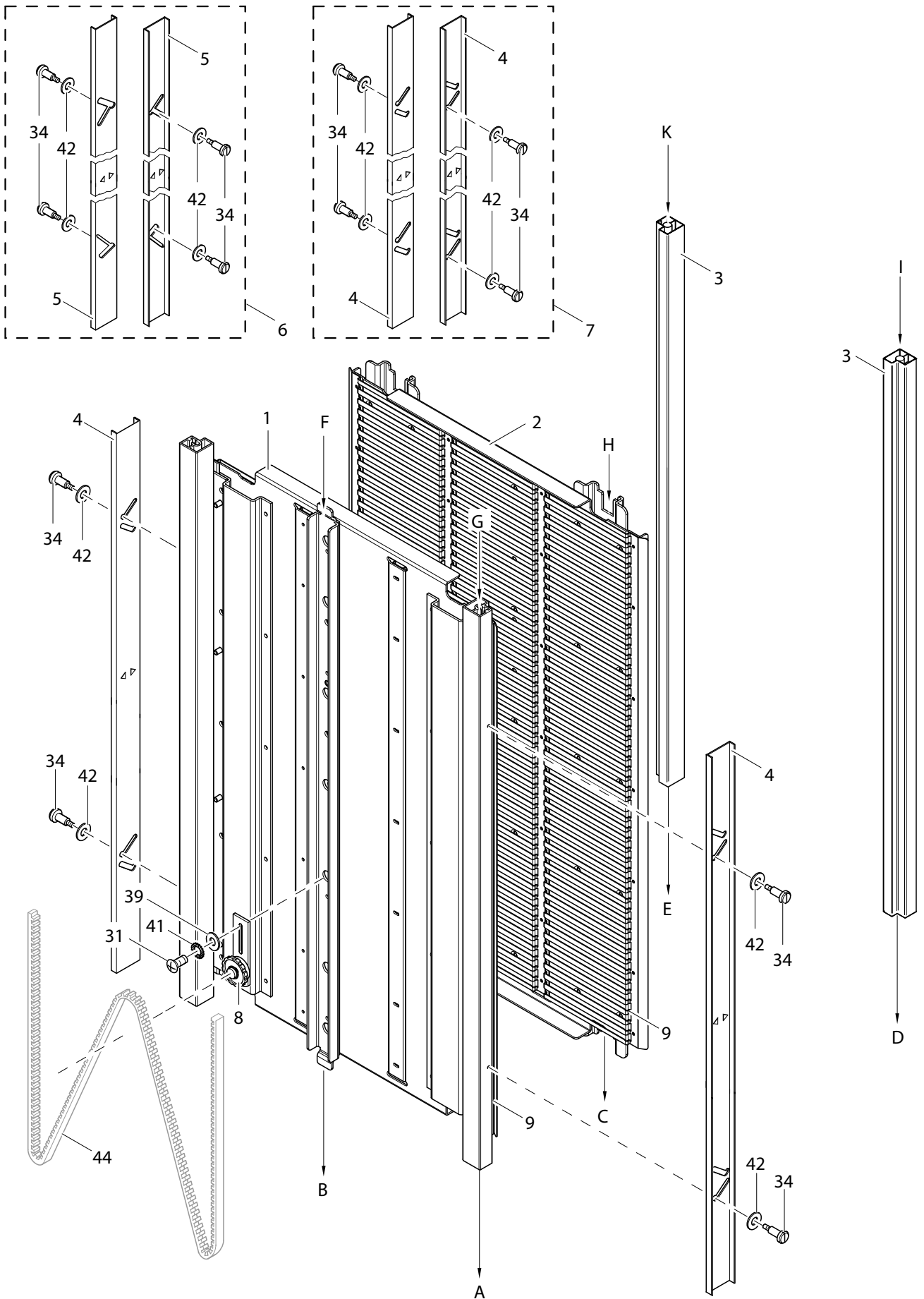
Series: 701.2 - 703.2

Series: 704.2 - 719.2

Series: 801.1 - 804.1

Series: 804.2 - 809.2





PCB-Magazine Series: 701-703 (Ausführung alt: Blech)

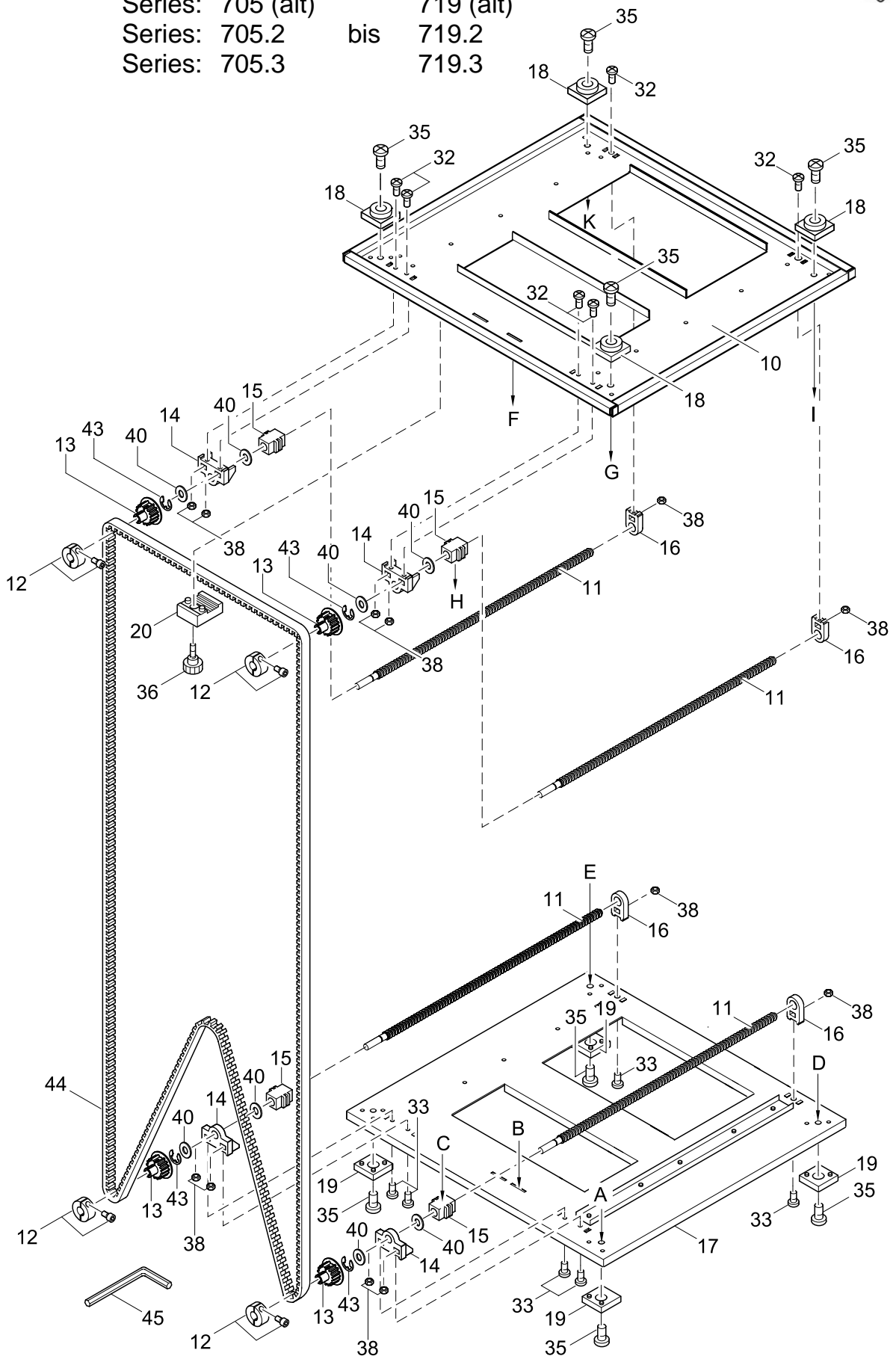
Series: 704 (alt)

Series: 704.1 / 704.2 / 704.3

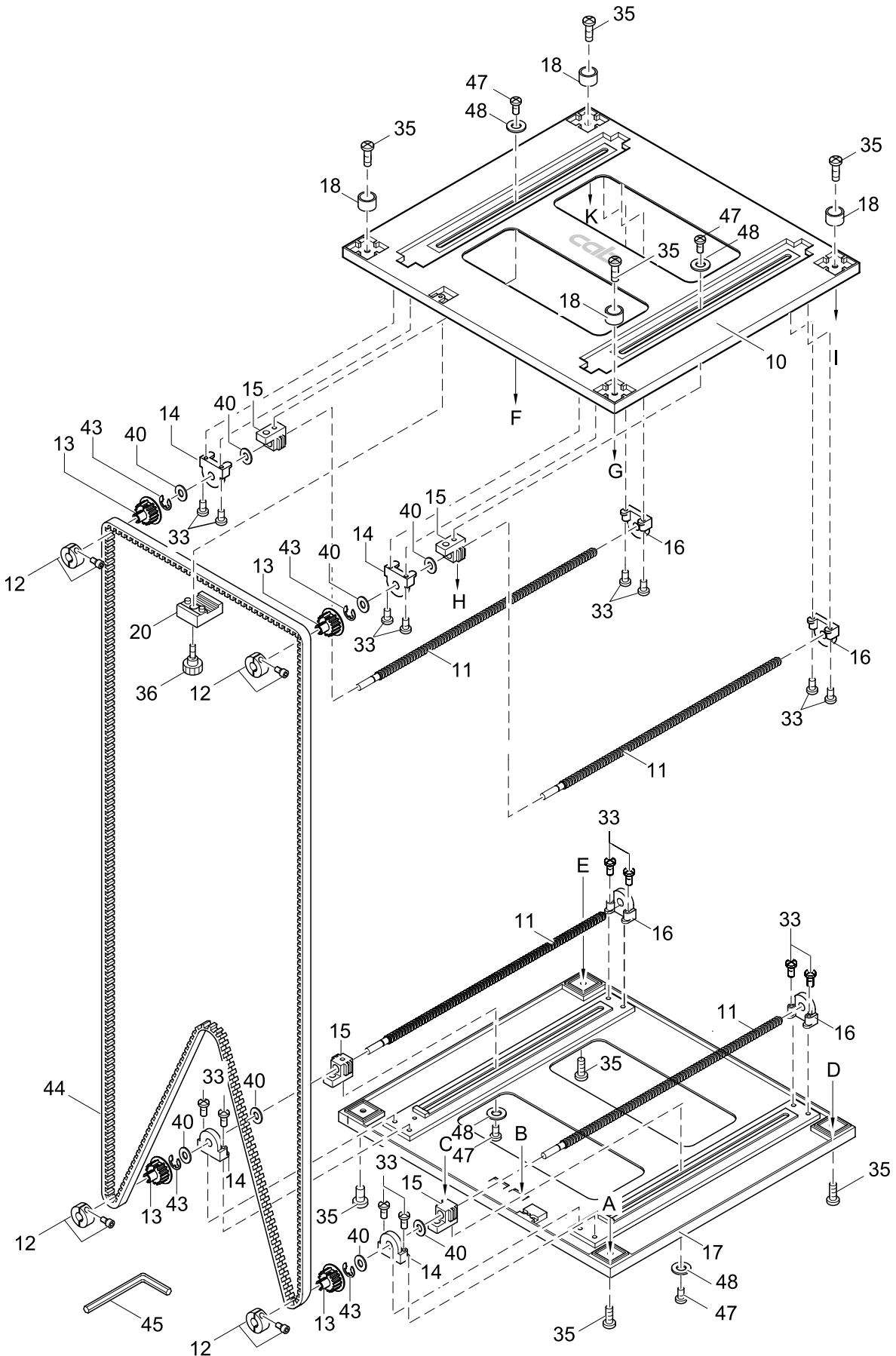
Series: 705 (alt) 719 (alt)

Series: 705.2 bis 719.2

Series: 705.3 719.3



PCB-Magazine Series: 701.1-703.1
Series: 701.2-703.2
Series: 701.3-703.3



Pos.	Description	Part.-No.				
		Typ 703 (Blech alt)	Typ 703 (Guss alt)	Typ 703.1 8917703	Typ 703.2 8916703	Typ 703.3 8915703
1	Rack wall fixed, complete	8915607.001	8915607.001	8915607.001	8915403.001	8915141.001
2	Rack wall moveable, complete	8915893.001	8915608.001	8915608.001	8915404.001	8915136.001
3	Profile	8913065.001	8913065.001	8913065.001	8913065.001	8913065.001
4	Standard safety bar	8913119.001	8913119.001	8913119.001	8913119.001	8913119.001
5	Turning safety bar	8913014.001	8913014.001	8913014.001	8913014.001	8913014.001
6	Transport safety 2	8913152.001	8913152.001	8913152.001	8913152.001	8913152.001
7	Transport safety 1	8913151.001	8913151.001	8913151.001	8913151.001	8913151.001
8	Guide roller, complete	8913179.001	8913179.001	8913179.001	8913179.001	8913179.001
9	Positioning strip	8913115.001	8913115.001	8913115.001	8913115.001	8913115.001
10	Top plate, complete	8913176.001	8913847.001	8913847.001	8913847.001	8913847.001
	Top plate premount (spare part)	8913237.001	—	—	—	—
11	Spindle	8913102.001	8913102.001	8913102.001	8913102.001	8913102.001
12	Clamp hoop	8913220.001	8913220.001	8913220.001	8913220.001	8913220.001
13	Belt pulley	8913019.001	8913019.001	8913019.001	8913019.001	8913019.001
14	Bearing block, complete	8913013.001	8913505.001	8913505.001	8913505.001	8913505.001
15	Nut / Rack wall holder	8913015.001	8915286.001	8915286.001	8915286.001	8915286.001
16	Bearing block	8913009.001	8913437.001	8913437.001	8913437.001	8913437.001
17	Ground plate, complete	8913175.001	8913846.001	8913846.001	8913846.001	8913846.001
	Ground plate premount (spare part)	8913238.001	—	—	—	—
18	Stackable plate	8913129.001	8913438.001	8913438.001	8913438.001	8913438.001
19	Bottom plate	8913025.001	8913025.001	8913025.001	8913025.001	8913025.001
20	Clamping plate	8913107.001	8913107.001	8913107.001	8913107.001	8913107.001
21						
22						
23						
24						
25						
26						
27						
28						
29						
30						
31	Screw DIN7985-M 4x10-4.8	5902022.001	5902022.001	5902022.001	5902022.001	5902022.001
32	Screw DIN7985-M 3x8	5902069.001	—	—	—	—
33	Screw DIN7516-A-M4x16	5902091.001	5902091.001	5902091.001	5902091.001	5902091.001
34	Screw DIN923-M3x 2	5902339.001	5902339.001	5902339.001	5902339.001	5902339.001
35	Screw DIN7985-M 5x16	5902350.001	5902350.001	5902350.001	5902350.001	5902350.001
36	Screw M4x12 rot	5902351.001	5902351.001	5902351.001	5902351.001	5902351.001
37						
38	Nut DIN934-M3	5902505.001	—	—	—	—
39	Washer DIN9021-4,3	5903005.001	5903005.001	5903005.001	5903005.001	5903005.001
40	Washer DIN988- 6x12x0,3	5903008.001	5903008.001	5903008.001	5903008.001	5903008.001
	Washer DIN988- 6x10x1,0	5903079.001	5903079.001	5903079.001	5903079.001	5903079.001
	Washer DIN988- 6x10x0,5	5903105.001	5903105.001	5903105.001	5903105.001	5903105.001
	Washer DIN988- 6x12x0,2	5903025.001	5903025.001	5903025.001	5903025.001	5903025.001
41	Toothed Washer DIN6797-A4.3	5903011.001	5903011.001	5903011.001	5903011.001	5903011.001
42	Washer DIN988- 4x8x1,0	5903089.001	5903089.001	5903089.001	5903089.001	5903089.001
43	E-Ring DIN6799-5	5903505.001	5903505.001	5903505.001	5903505.001	5903505.001
44	Gear belt 672XL 025	5905556.001	5905556.001	5905556.001	5905556.001	5905556.001
45	Screw-wrench DIN911-2,5mm	5909031.001	5909031.001	5909031.001	5909031.001	5909031.001
46	Mounting instruction	9008261.001	—	—	—	—
47	Screw KB40x10	—	5902227.001	5902227.001	5902227.001	5902227.001
48	Washer DIN9021-4,3	—	5903005.001	5903005.001	5903005.001	5903005.001
49	Mounting instruction	—	9008260.001	9008260.001	9008260.001	9008260.001
50						
51						
52						
53						
54						
55						