

PCB-Magazine Series: 701 - 703 (alt), 704 (alt), 801 - 809 (alt)

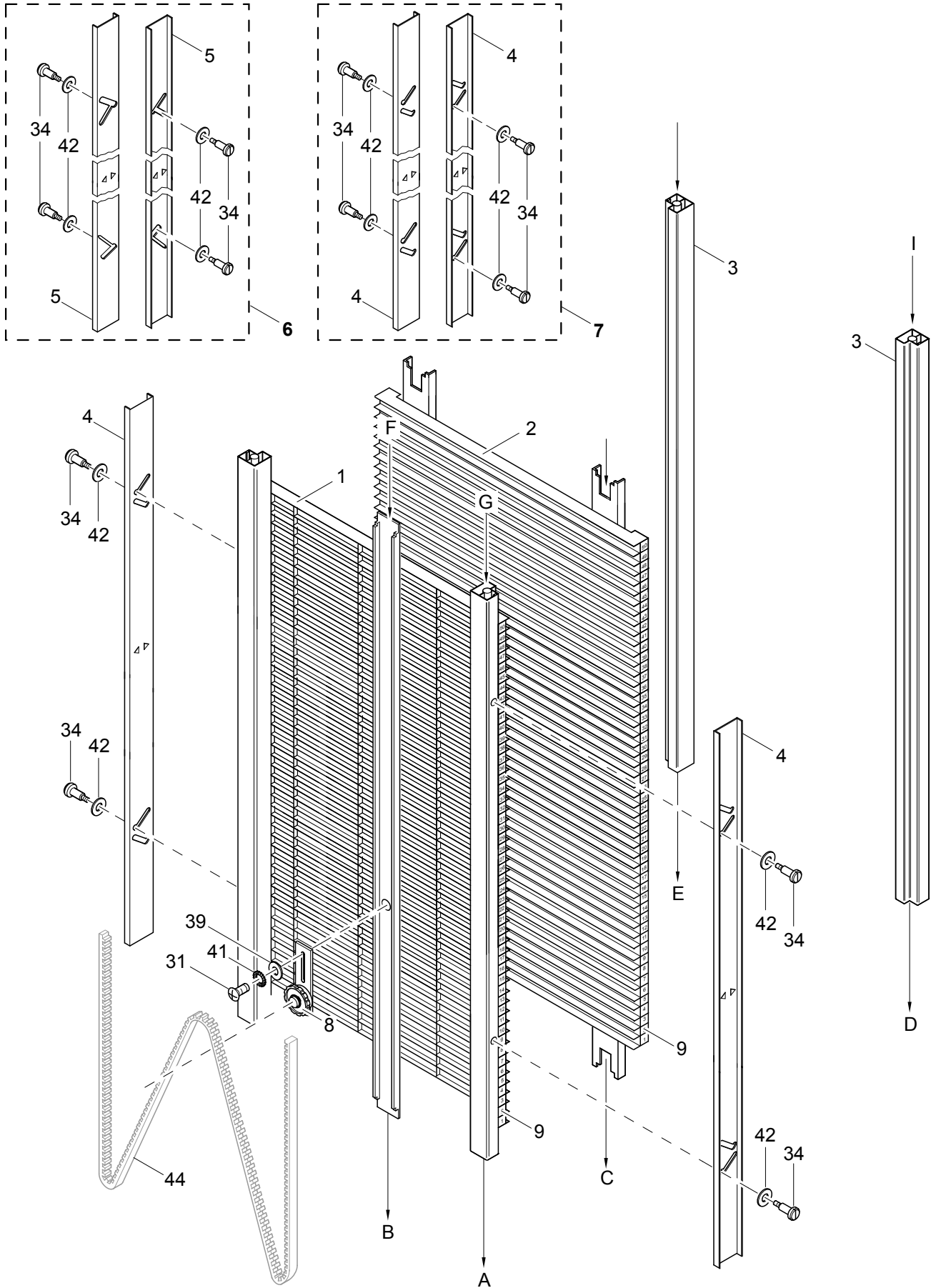
Series: 701.1 - 704.1

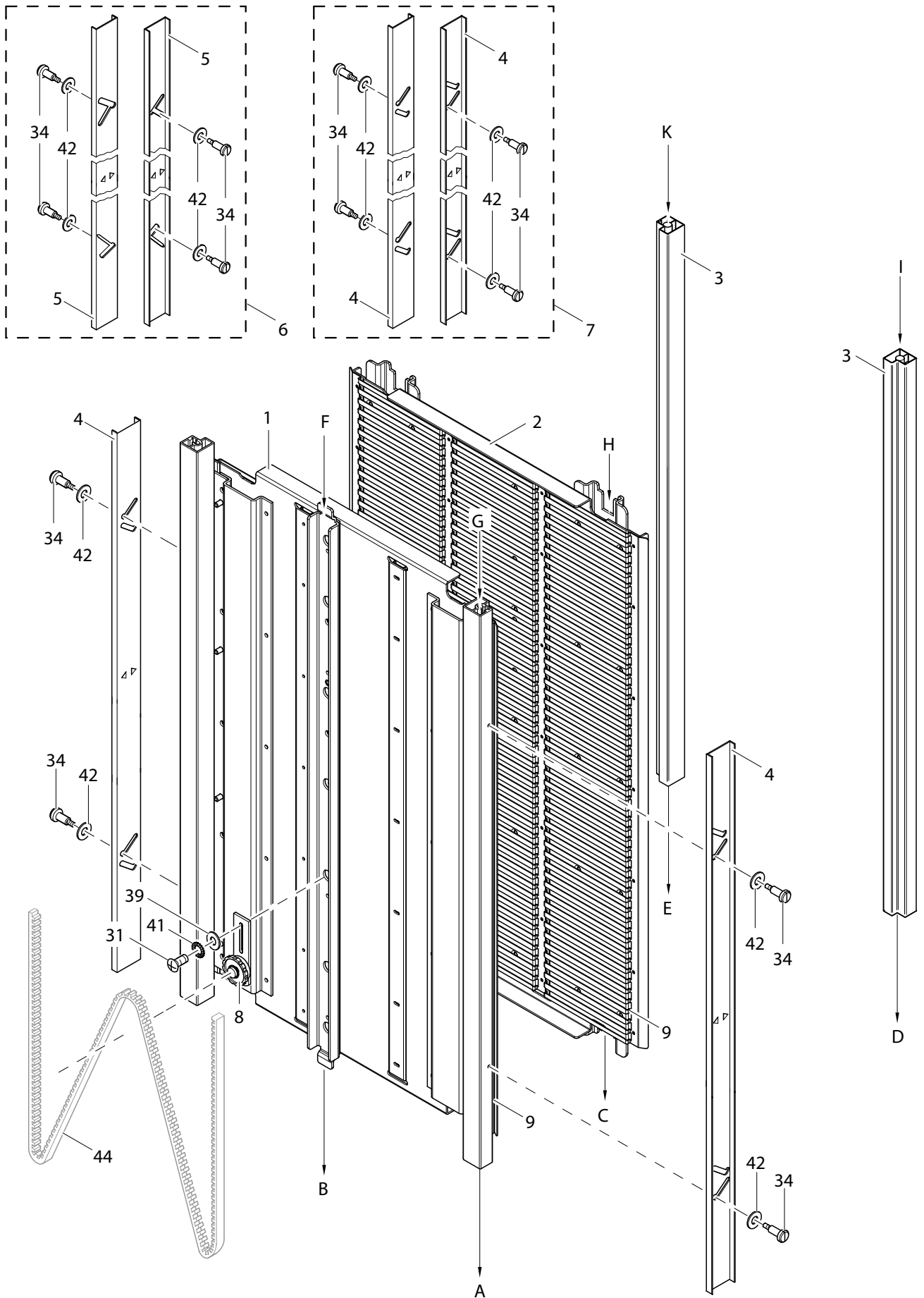
Series: 701.2 - 703.2

Series: 704.2 - 719.2

Series: 801.1 - 804.1

Series: 804.2 - 809.2





PCB-Magazine Series: 701-703 (Ausführung alt: Blech)

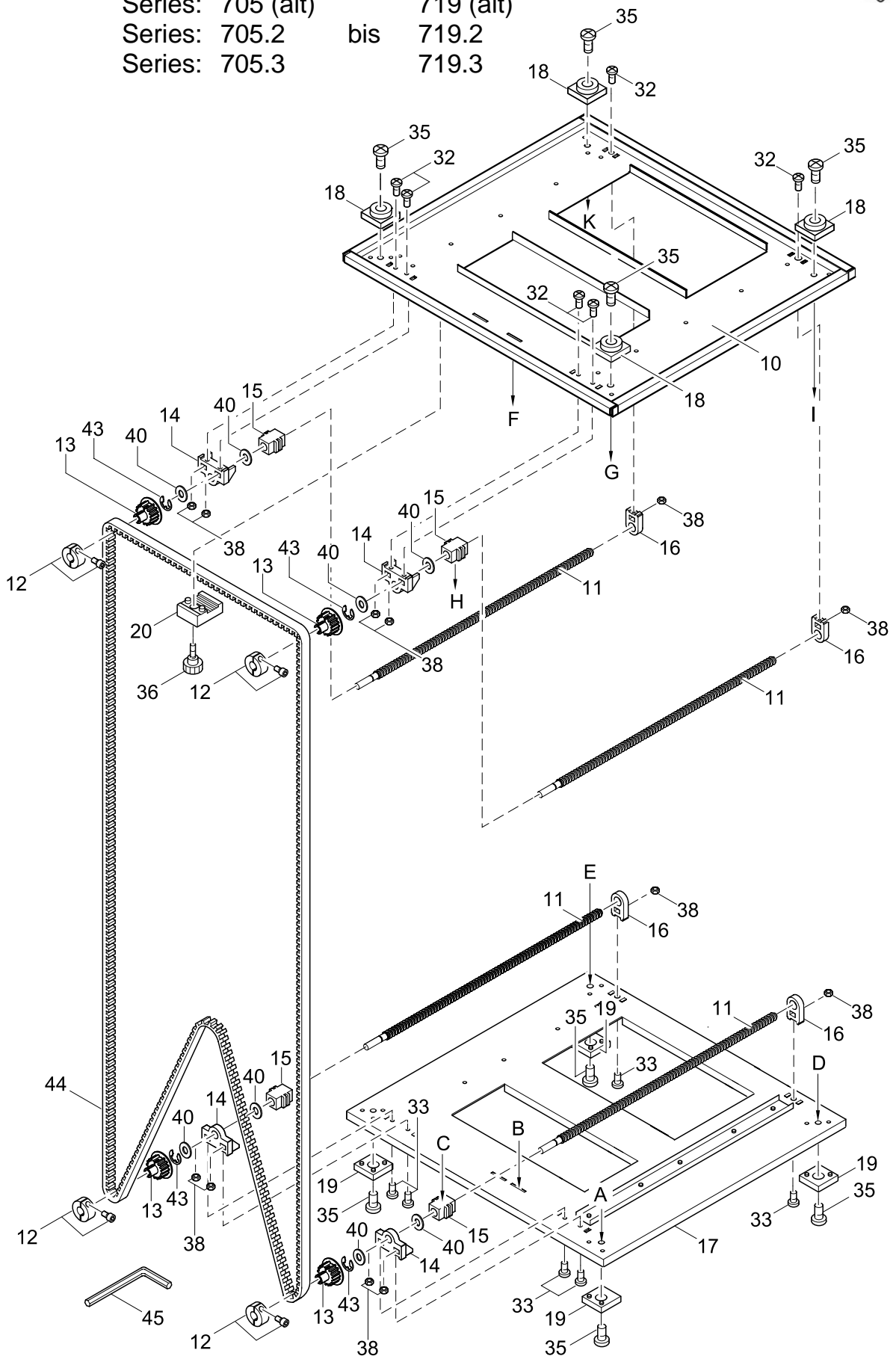
Series: 704 (alt)

Series: 704.1 / 704.2 / 704.3

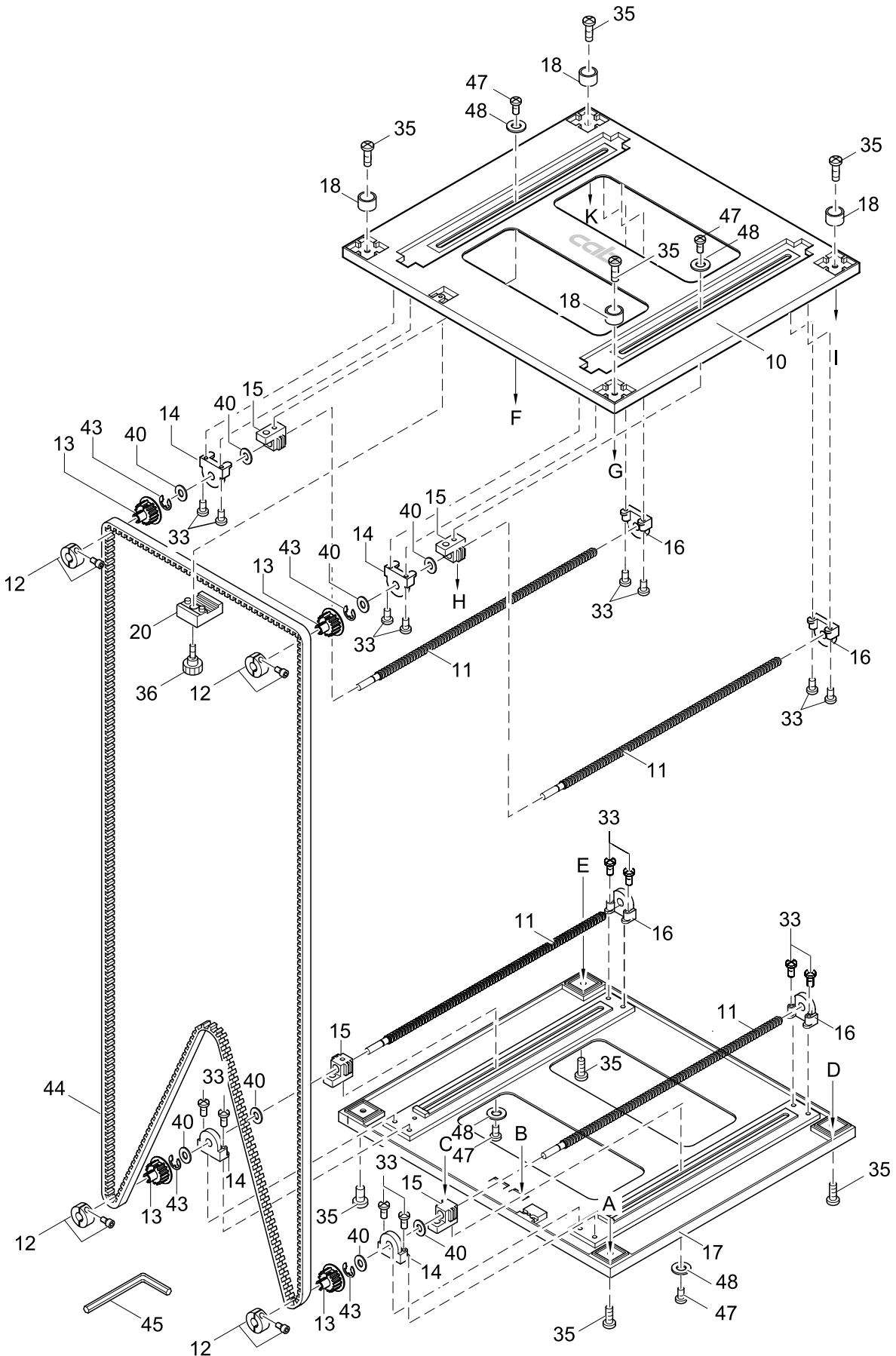
Series: 705 (alt) 719 (alt)

Series: 705.2 bis 719.2

Series: 705.3 719.3



PCB-Magazine Series: 701.1-703.1
Series: 701.2-703.2
Series: 701.3-703.3



Pos.	Description	Part.-No.			
		Typ 704 (alt) 8913274	Typ 704.1 8917704	Typ 704.2 8916704	Typ 704.3 8915704
1	Rack wall fixed, complete	8915625.001	8915610.001	8915405.001	8915067.001
2	Rack wall moveable, complete	8915611.001	8915611.001	8915409.001	8915068.001
3	Profile	8913065.001	8913065.001	8913065.001	8913065.001
4	Standard safety bar	8913119.001	8913119.001	8913119.001	8913119.001
5	Turning safety bar	8913014.001	8913014.001	8913014.001	8913014.001
6	Transport safety 2	8913152.001	8913152.001	8913152.001	8913152.001
7	Transport safety 1	8913151.001	8913151.001	8913151.001	8913151.001
8	Guide roller, complete	8913179.001	8913179.001	8913179.001	8913179.001
9	Positioning strip	8913115.001	8913115.001	8913115.001	8913115.001
10	Top plate, complete	8913223.001	8915615.001	8915615.001	8915252.001
	Top plate premount (spare part)	8913235.001	—	—	—
11	Spindle	8913103.001	8913103.001	8913103.001	8913103.001
12	Clamp hoop	8913220.001	8913220.001	8913220.001	8913220.001
13	Belt pulley	8913019.001	8913019.001	8913019.001	8913019.001
14	Bearing block, complete	8913013.001	8913013.001	8913013.001	8915286.001
15	Nut	8913015.001	8913015.001	8913015.001	8913015.001
16	Bearing block	8913009.001	8913009.001	8913009.001	8913009.001
17	Ground plate, complete	8913222.001	8915614.001	8915614.001	8915251.001
	Ground plate premount (spare part)	8913236.001	—	—	—
18	Top plate	8913129.001	8913129.001	8913129.001	8913129.001
19	Bottom plate	8913025.001	8913025.001	8913025.001	8913025.001
20	Clamping plate	8913107.001	8913107.001	8913107.001	8913107.001
21					
22					
23					
24					
25					
26					
27					
28					
29					
30					
31	Screw DIN7985-M 4x10-4.8	5902022.001	5902022.001	5902022.001	5902022.001
32	Screw DIN7985-M 3x8	5902069.001	5902069.001	5902069.001	5902069.001
33	Screw DIN7985-M3x10	5902061.001	5902061.001	5902061.001	5902061.001
34	Screw DIN923-M3x 2	5902339.001	5902339.001	5902339.001	5902339.001
35	Screw DIN7985-M 5x16	5902350.001	5902350.001	5902350.001	5902350.001
36	Screw M4x12 rot	5902351.001	5902351.001	5902351.001	5902351.001
37					
38	Nut DIN934-M3	5902505.001	5902505.001	5902505.001	5902505.001
39	Washer DIN9021-4,3	5903005.001	5903005.001	5903005.001	5903005.001
40	Washer DIN988- 6x12x0,3	5903008.001	5903008.001	5903008.001	5903008.001
	Washer DIN988- 6x12x0,2	—	5903025.001	5903025.001	5903025.001
41	Toothed Washer DIN6797-A4.3	5903011.001	5903011.001	5903011.001	5903011.001
42	Washer DIN988- 4x8x1,0	5903089.001	5903089.001	5903089.001	5903089.001
43	E-Ring DIN6799-5	5903505.001	5903505.001	5903505.001	5903505.001
44	Gear belt 736XL 025	5905557.001	5905557.001	5905557.001	5905557.001
45	Screw-wrench DIN911-2,5mm	5909031.001	5909031.001	5909031.001	5909031.001
46	Mounting instruction	9008261.001	9008261.001	9008261.001	9008261.001
47					
48					
49					
50					
51					
52					
53					
54					
55					