

PCB-Magazine Series: 701 - 703 (alt), 704 (alt), 801 - 809 (alt)

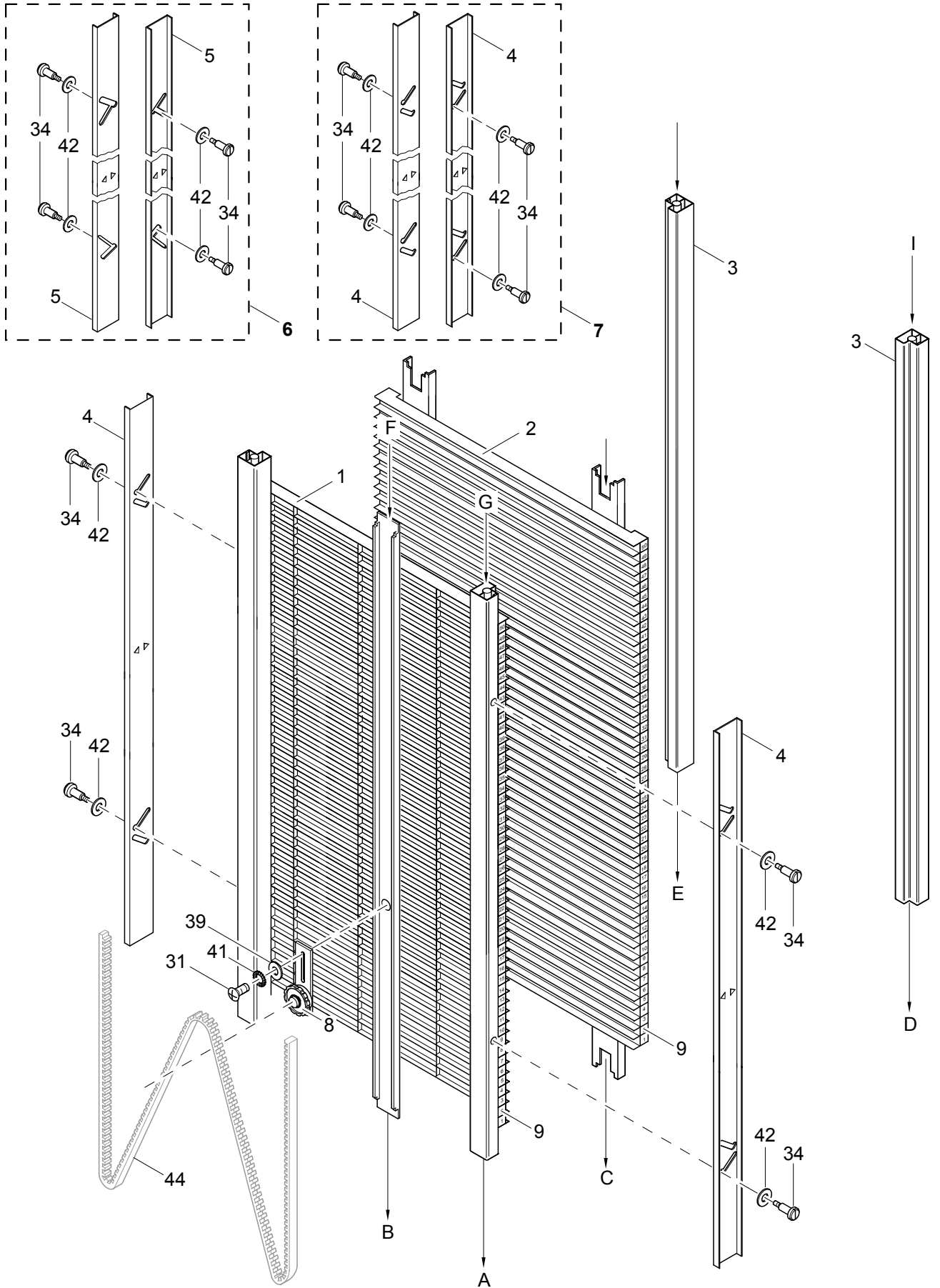
Series: 701.1 - 704.1

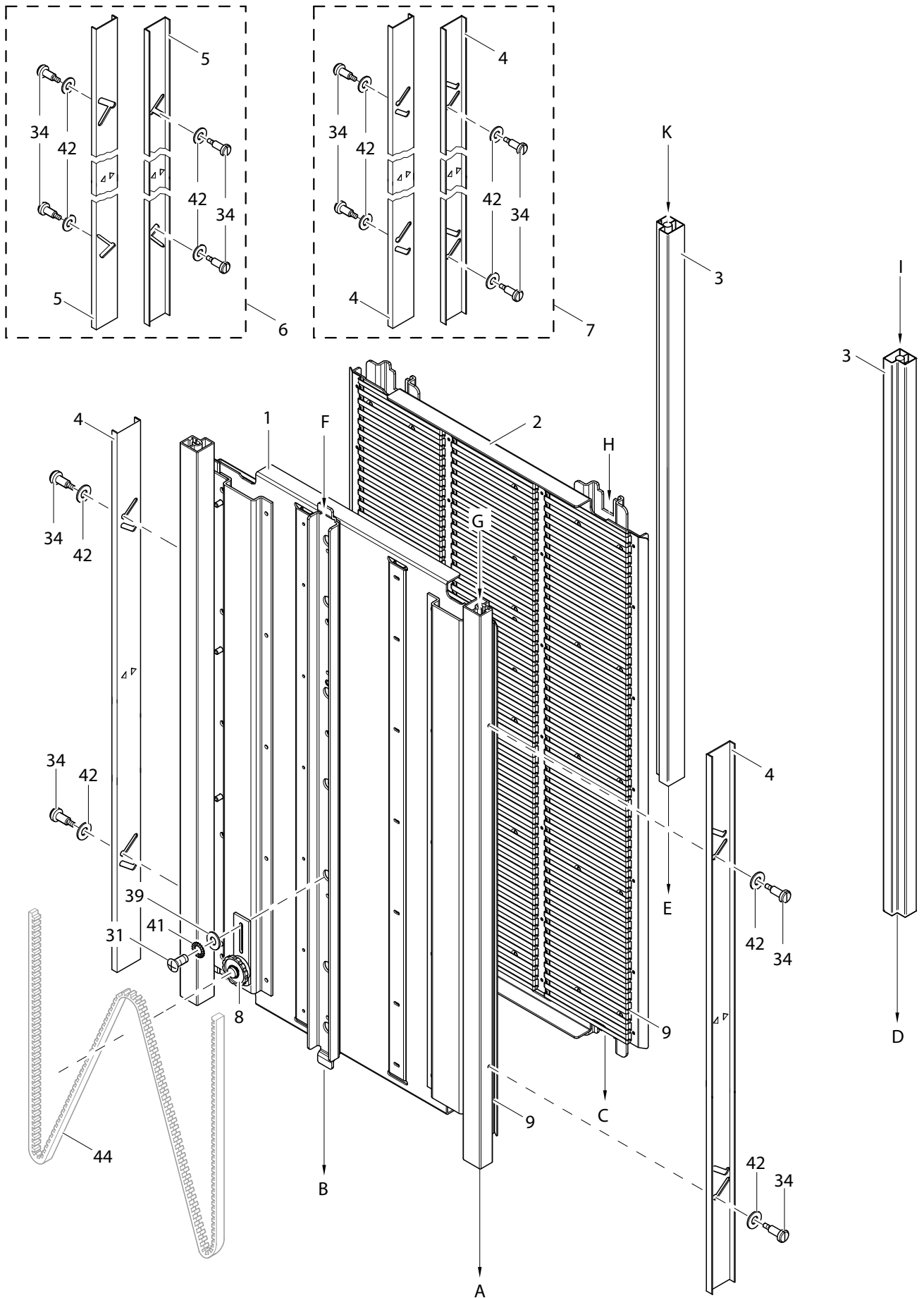
Series: 701.2 - 703.2

Series: 704.2 - 719.2

Series: 801.1 - 804.1

Series: 804.2 - 809.2





PCB-Magazine Series: 701-703 (Ausführung alt: Blech)

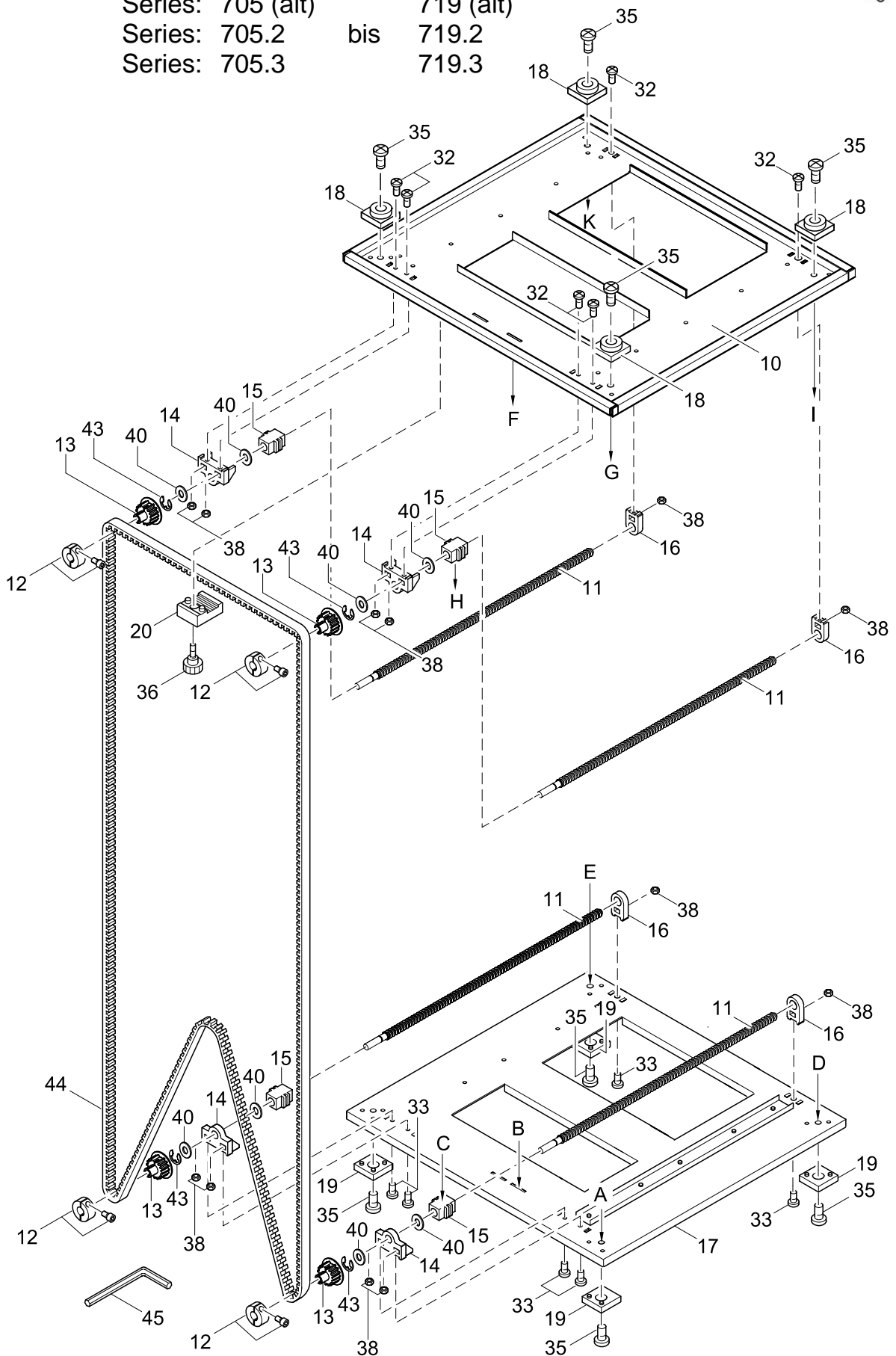
Series: 704 (alt)

Series: 704.1 / 704.2 / 704.3

Series: 705 (alt) 719 (alt)

Series: 705.2 bis 719.2

Series: 705.3 719.3



| Pos. | Description | Part.-No. | | |
|------|------------------------------------|--------------------------|----------------------|----------------------|
| | | Typ 706 (alt) 8913076 | Typ 706.2 8916706 | Typ 706.3 8915706 |
| 1 | Rack wall fixed, complete | 8915431.001 | 8915406.001 | 8914999.001 |
| 2 | Rack wall moveable, complete | 8915432.001 | 8915407.001 | 8915007.001 |
| 3 | Profile | 8913066.001 | 8913065.001 | 8913065.001 |
| 4 | Standard safety bar | 8913119.001 | 8913119.001 | 8913119.001 |
| 5 | Turning safety bar | 8913014.001 | 8913014.001 | 8913014.001 |
| 6 | Transport safety 2 | 8913152.001 | 8913152.001 | 8913152.001 |
| 7 | Transport safety 1 | 8913151.001 | 8913151.001 | 8913151.001 |
| 8 | Guide roller, complete | 8913179.001 | 8913179.001 | 8913179.001 |
| 9 | Positioning strip | 8913115.001 | 8913115.001 | 8913115.001 |
| 10 | Top plate, complete | 8913189.001 | 8913189.001 | 8915206.001 |
| | Top plate premount (spare part) | 8913230.001 | — | — |
| 11 | Spindle | 8913104.001 | 8913104.001 | 8913104.001 |
| 12 | Clamp hoop | 8913220.001 | 8913220.001 | 8913220.001 |
| 13 | Belt pulley | 8913019.001 | 8913019.001 | 8913019.001 |
| 14 | Bearing block, complete | 8913013.001 | 8913013.001 | 8915286.001 |
| 15 | Nut | 8913015.001 | 8913015.001 | 8913015.001 |
| 16 | Bearing block | 8913009.001 | 8913009.001 | 8913009.001 |
| 17 | Ground plate, complete | 8913188.001 | 8915440.001 | 8915202.001 |
| | Ground plate premount (spare part) | 8913229.001 | — | — |
| 18 | Top plate | 8913129.001 | 8913129.001 | 8913129.001 |
| 19 | Bottom plate | 8913025.001 | 8913025.001 | 8913025.001 |
| 20 | Clamping plate | 8913107.001 | 8913107.001 | 8913107.001 |
| 21 | | | | |
| 22 | | | | |
| 23 | | | | |
| 24 | | | | |
| 25 | | | | |
| 26 | | | | |
| 27 | | | | |
| 28 | | | | |
| 29 | | | | |
| 30 | | | | |
| 31 | Screw DIN7985-M 4x10-4.8 | 5902022.001 | 5902022.001 | 5902022.001 |
| 32 | Screw DIN7985-M 3x8 | 5902069.001 | 5902069.001 | 5902069.001 |
| 33 | Screw DIN7985-M3x10 | 5902061.001 | 5902061.001 | 5902061.001 |
| 34 | Screw DIN923-M3x 2 | 5902339.001 | 5902339.001 | 5902339.001 |
| 35 | Screw DIN7985-M 5x16 | 5902350.001 | 5902350.001 | 5902350.001 |
| 36 | Screw M4x12 rot | 5902351.001 | 5902351.001 | 5902351.001 |
| 37 | | | | |
| 38 | Nut DIN934-M3 | 5902505.001 | 5902505.001 | 5902505.001 |
| 39 | Washer DIN9021-4,3 | 5903005.001 | 5903005.001 | 5903005.001 |
| 40 | Washer DIN988- 6x12x0,3 | 5903008.001 | 5903008.001 | 5903008.001 |
| | Washer DIN988- 6x12x0,2 | — | 5903025.001 | 5903025.001 |
| 41 | Toothed Washer DIN6797-A4.3 | 5903011.001 | 5903011.001 | 5903011.001 |
| 42 | Washer DIN988- 4x8x1,0 | 5903089.001 | 5903089.001 | 5903089.001 |
| 43 | E-Ring DIN6799-5 | 5903505.001 | 5903505.001 | 5903505.001 |
| 44 | Gear belt 828XL 025 | 5905558.001 | 5905558.001 | 5905558.001 |
| 45 | Screw-wrench DIN911-2,5mm | 5909031.001 | 5909031.001 | 5909031.001 |
| 46 | Mounting instruction | 9008261.001 | 9008261.001 | 9008261.001 |
| 47 | | | | |
| 48 | | | | |
| 49 | | | | |
| 50 | | | | |
| 51 | | | | |
| 52 | | | | |
| 53 | | | | |
| 54 | | | | |
| 55 | | | | |

| Pos. | Description | Part.-No. | | |
|------|------------------------------------|--------------------------|----------------------|----------------------|
| | | Typ 716 (alt) 8913546 | Typ 716.2 8916716 | Typ 716.3 8915716 |
| 1 | Rack wall fixed, complete | 8915431.001 | 8915406.001 | 8914999.001 |
| 2 | Rack wall moveable, complete | 8915432.001 | 8915407.001 | 8915007.001 |
| 3 | Profile | 8913065.001 | 8913065.001 | 8913065.001 |
| 4 | Standard safety bar | 8913119.001 | 8913119.001 | 8913119.001 |
| 5 | Turning safety bar | 8913014.001 | 8913014.001 | 8913014.001 |
| 6 | Transport safety 2 | 8913152.001 | 8913152.001 | 8913152.001 |
| 7 | Transport safety 1 | 8913151.001 | 8913151.001 | 8913151.001 |
| 8 | Guide roller, complete | 8913179.001 | 8913179.001 | 8913179.001 |
| 9 | Positioning strip | 8913115.001 | 8913115.001 | 8913115.001 |
| 10 | Top plate, complete | 8913189.001 | 8913189.001 | 8915206.001 |
| | Top plate premount (spare part) | 8913230.001 | — | — |
| 11 | Spindle | 8913104.001 | 8913104.001 | 8913104.001 |
| 12 | Clamp hoop | 8913220.001 | 8913220.001 | 8913220.001 |
| 13 | Belt pulley | 8913019.001 | 8913019.001 | 8913019.001 |
| 14 | Bearing block, complete | 8913013.001 | 8913013.001 | 8915286.001 |
| 15 | Nut | 8913015.001 | 8913015.001 | 8913015.001 |
| 16 | Bearing block | 8913009.001 | 8913009.001 | 8913009.001 |
| 17 | Ground plate, complete | 8913188.001 | 8913188.001 | 8915211.001 |
| | Ground plate premount (spare part) | 8913229.001 | — | — |
| 18 | Top plate | 8913129.001 | 8913129.001 | 8913129.001 |
| 19 | Bottom plate | 8913025.001 | 8913025.001 | 8913025.001 |
| 20 | Clamping plate | 8913107.001 | 8913107.001 | 8913107.001 |
| 21 | | | | |
| 22 | | | | |
| 23 | | | | |
| 24 | | | | |
| 25 | | | | |
| 26 | | | | |
| 27 | | | | |
| 28 | | | | |
| 29 | | | | |
| 30 | | | | |
| 31 | Screw DIN7985-M 4x10-4.8 | 5902022.001 | 5902022.001 | 5902022.001 |
| 32 | Screw DIN7985-M 3x8 | 5902069.001 | 5902069.001 | 5902069.001 |
| 33 | Screw DIN7985-M3x10 | 5902061.001 | 5902061.001 | 5902061.001 |
| 34 | Screw DIN923-M3x 2 | 5902339.001 | 5902339.001 | 5902339.001 |
| 35 | Screw DIN7985-M 5x16 | 5902350.001 | 5902350.001 | 5902350.001 |
| 36 | Screw M4x12 rot | 5902351.001 | 5902351.001 | 5902351.001 |
| 37 | | | | |
| 38 | Nut DIN934-M3 | 5902505.001 | 5902505.001 | 5902505.001 |
| 39 | Washer DIN9021-4,3 | 5903005.001 | 5903005.001 | 5903005.001 |
| 40 | Washer DIN988- 6x12x0,3 | 5903008.001 | 5903008.001 | 5903008.001 |
| | Washer DIN988- 6x12x0,2 | — | 5903025.001 | 5903025.001 |
| 41 | Toothed Washer DIN6797-A4.3 | 5903011.001 | 5903011.001 | 5903011.001 |
| 42 | Washer DIN988- 4x8x1,0 | 5903089.001 | 5903089.001 | 5903089.001 |
| 43 | E-Ring DIN6799-5 | 5903505.001 | 5903505.001 | 5903505.001 |
| 44 | Gear belt 828XL 025 | 5905558.001 | 5905558.001 | 5905558.001 |
| 45 | Screw-wrench DIN911-2,5mm | 5909031.001 | 5909031.001 | 5909031.001 |
| 46 | Mounting instruction | 9008261.001 | 9008261.001 | 9008261.001 |
| 47 | | | | |
| 48 | | | | |
| 49 | | | | |
| 50 | | | | |
| 51 | | | | |
| 52 | | | | |
| 53 | | | | |
| 54 | | | | |
| 55 | | | | |