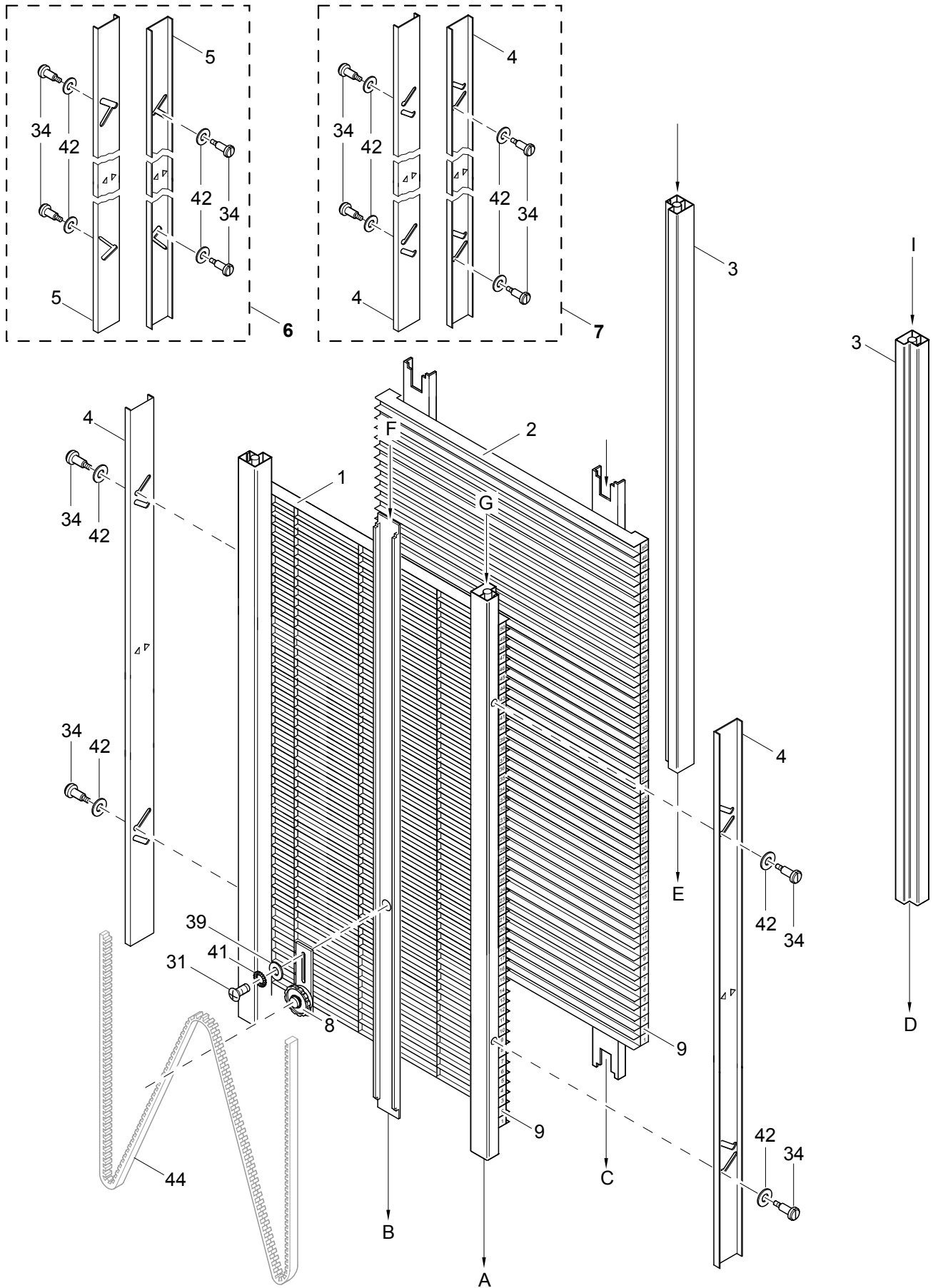
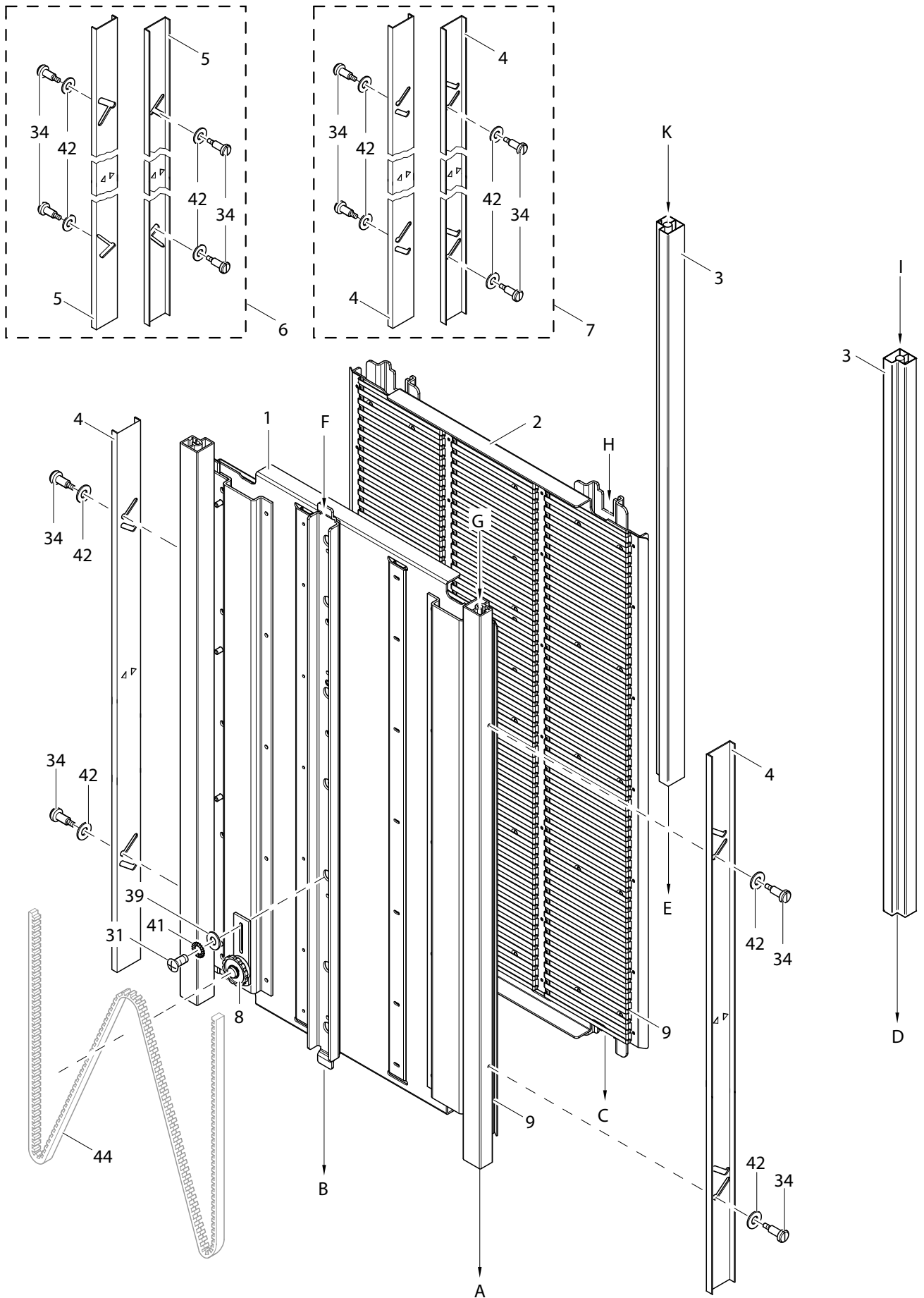


PCB-Magazine Series: 701 - 703 (alt), 704 (alt), 801 - 809 (alt)  
 Series: 701.1 - 704.1  
 Series: 701.2 - 703.2  
 Series: 704.2 - 719.2  
 Series: 801.1 - 804.1  
 Series: 804.2 - 809.2





PCB-Magazine Series: 701-703 (Ausführung alt: Blech)

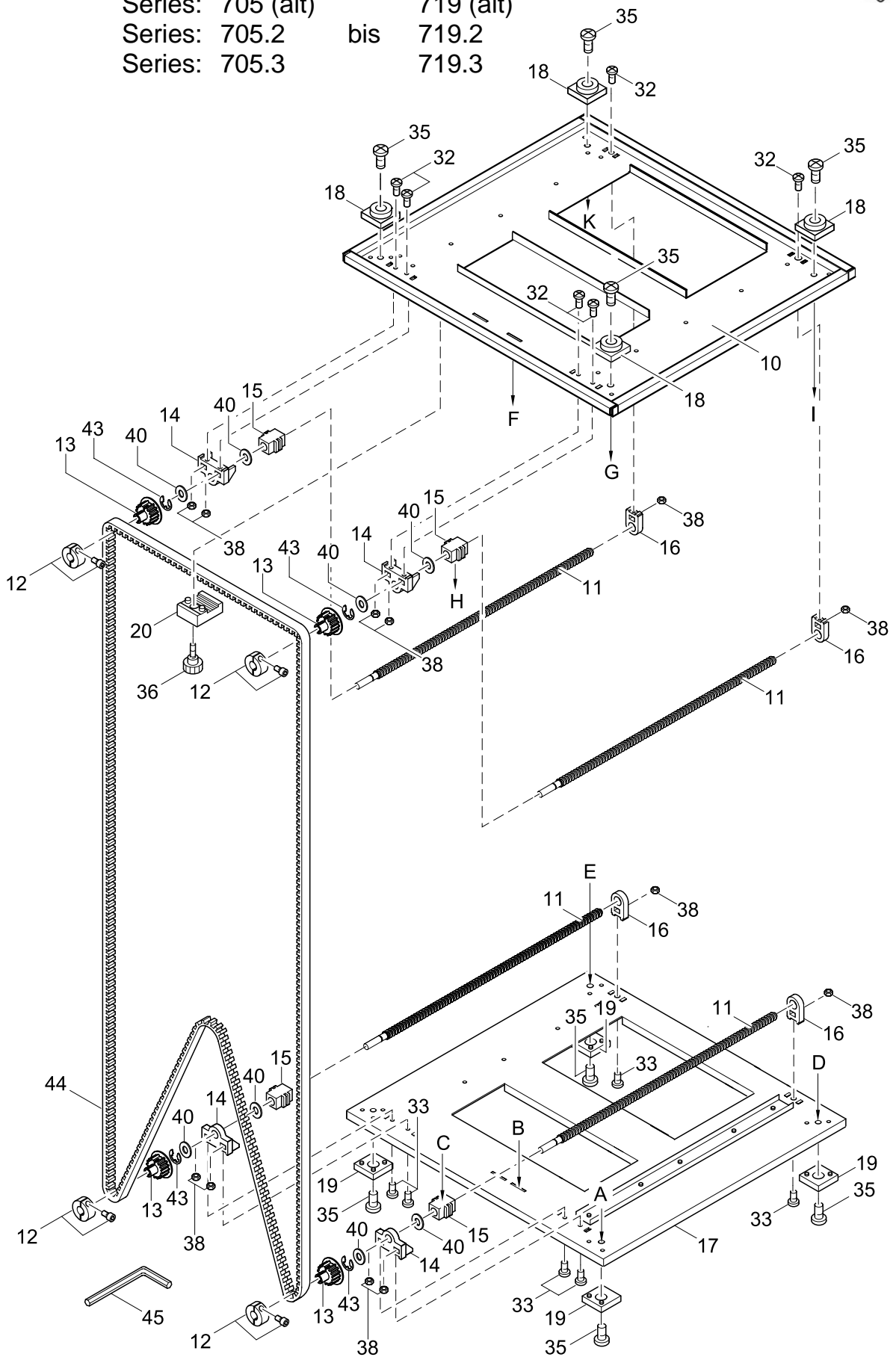
Series: 704 (alt)

Series: 704.1 / 704.2 / 704.3

Series: 705 (alt)                    719 (alt)

Series: 705.2                    bis    719.2

Series: 705.3                    719.3



Pos.	Description	Part.-No.	
		Typ 709 (alt) 8913359	Typ 709.2 8916709
1	Rack wall fixed, complete	8915431.001	8915406.001
2	Rack wall moveable, complete	8915432.001	8915407.001
3	Profile	8913066.001	8913065.001
4	Standard safety bar	8913119.001	8913119.001
5	Turning safety bar	8913014.001	8913014.001
6	Transport safety 2	8913152.001	8913152.001
7	Transport safety 1	8913151.001	8913151.001
8	Guide Roller, complete	8913179.001	8913179.001
9	Positioning strip	8913115.001	8913115.001
10	Top plate, complete	8913355.001	8913355.001
	Top plate premount (spare part)	8913408.001	—
11	Spindle	8913351.001	8913351.001
12	Clamp hoop	8913220.001	8913220.001
13	Belt pulley	8913019.001	8913019.001
14	Bearing block, complete	8913013.001	8913013.001
15	Nut	8913015.001	8913015.001
16	Bearing block	8913009.001	8913009.001
17	Ground plate, complete	8913361.001	8913354.001
	Ground plate premount (spare part)	8913407.001	—
18	Top plate	8913129.001	8913129.001
19	Bottom plate	8913025.001	8913025.001
20	Clamping plate	8913107.001	8913107.001
21			
22			
23			
24			
25			
26			
27			
28			
29			
30			
31	Screw DIN7985-M 4x10-4.8	5902022.001	5902022.001
32	Screw DIN7985-M 3x8	5902069.001	5902069.001
33	Screw DIN7985-M3x10	5902061.001	5902061.001
34	Screw DIN923-M3x 2	5902339.001	5902339.001
35	Screw DIN7985-M 5x16	5902350.001	5902350.001
36	Screw M4x12 rot	5902351.001	5902351.001
37			
38	Nut DIN934-M3	5902505.001	5902505.001
39	Washer DIN9021-4,3	5903005.001	5903005.001
40	Washer DIN988- 6x12x0,3	5903008.001	5903008.001
	Washer DIN988- 6x12x0,2	—	5903025.001
41	Toothed Washer DIN6797-A4.3	5903011.001	5903011.001
42	Washer DIN988- 4x8x1,0	5903089.001	5903089.001
43	E-Ring DIN6799-5	5903505.001	5903505.001
44	Gear belt 828XL 025	5905558.001	5905558.001
45	Screw-wrench DIN911-2,5mm	5909031.001	5909031.001
46	Mounting instruction	9008261.001	9008261.001
47			
48			
49			
50			
51			
52			
53			
54			
55			

Pos.	Description	Part.-No.	
		Typ 719 (alt) 8913549	Typ 719.2 8916719
1	Rack wall fixed, complete	8915431.001	8915406.001
2	Rack wall moveable, complete	8915432.001	8915407.001
3	Profile	8913066.001	8913065.001
4	Standard safety bar	8913119.001	8913119.001
5	Turning safety bar	8913014.001	8913014.001
6	Transport safety 2	8913152.001	8913152.001
7	Transport safety 1	8913151.001	8913151.001
8	Guide roller, complete	8913179.001	8913179.001
9	Positioning strip	8913115.001	8913115.001
10	Top plate, complete	8913355.001	8913355.001
	Top plate premount (spare part)	8913408.001	—
11	Spindle	8913351.001	8913351.001
12	Clamp hoop	8913220.001	8913220.001
13	Belt pulley	8913019.001	8913019.001
14	Bearing block, complete	8913013.001	8913013.001
15	Nut	8913015.001	8913015.001
16	Bearing block	8913009.001	8913009.001
17	Ground plate, complete	8913354.001	8913361.001
	Ground plate premount (spare part)	8913407.001	—
18	Top plate	8913129.001	8913129.001
19	Bottom plate	8913025.001	8913025.001
20	Clamping plate	8913107.001	8913107.001
21			
22			
23			
24			
25			
26			
27			
28			
29			
30			
31	Screw DIN7985-M 4x10-4.8	5902022.001	5902022.001
32	Screw DIN7985-M 3x8	5902069.001	5902069.001
33	Screw DIN7985-M3x10	5902061.001	5902061.001
34	Screw DIN923-M3x 2	5902339.001	5902339.001
35	Screw DIN7985-M 5x16	5902350.001	5902350.001
36	Screw M4x12 rot	5902351.001	5902351.001
37			
38	Nut DIN934-M3	5902505.001	5902505.001
39	Washer DIN9021-4,3	5903005.001	5903005.001
40	Washer DIN988- 6x12x0,3	5903008.001	5903008.001
	Washer DIN988- 6x12x0,2	—	5903025.001
41	Toothed Washer DIN6797-A4.3	5903011.001	5903011.001
42	Washer DIN988- 4x8x1,0	5903089.001	5903089.001
43	E-Ring DIN6799-5	5903505.001	5903505.001
44	Gear belt 828XL 025	5905558.001	5905558.001
45	Screw-wrench DIN911-2,5mm	5909031.001	5909031.001
46	Mounting instruction	9008261.001	9008261.001
47			
48			
49			
50			
51			
52			
53			
54			
55			