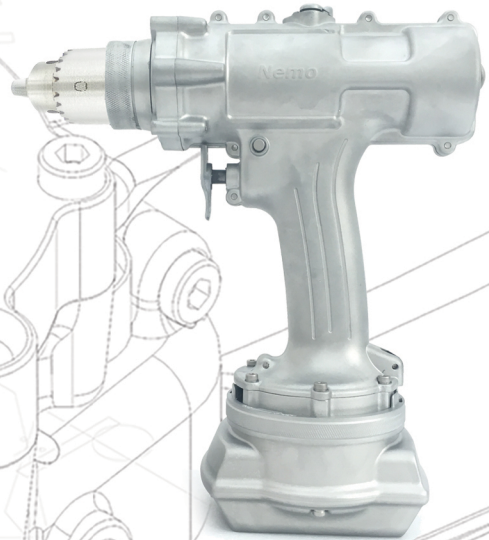


**Uses:**

Any type of small maintenance work within clean rooms, labs and surgical environments  
 Attaching acetal components to metal components with screws/bolts  
 Securing clips that anchor fluid transfer tubing

**Sterilization/cleaning of tool:**

The Nemo Clean Room Sterilized Drill/Driver may be sterilized by wiping the surface of the drill with solutions or disinfectants and using standard disinfection and sterilization methods, including autoclaves.



# NEMO CLEAN ROOM

The Nemo Clean Room Sterilized Drill/Driver (CLV2-18-3Li-5) offers clean room, medical lab, and pharmaceutical professionals a completely sealed and sterilizable drill. The drill is made from aluminum and its non-porous surface is specially-treated which means it can be sterilized, washed and cleaned with water, alcohol, various solvents and standard sterilization solutions.

<b>Battery:</b>	<b>18V Li-ion 3Ah</b>
<b>No Load Speed (2 speeds):</b>	<b>0-400 / 0-1500 RPM</b>
<b>Maximum Torque:</b>	<b>39 N/m (345 in.lbs)</b>
<b>Chuck size:</b>	<b>13mm (1/2 in)</b>
<b>Net weight (with battery):</b>	<b>2.9kg (6.39 lbs)</b>
<b>Capacity (steel):</b>	<b>10mm</b>
<b>Capacity (wood):</b>	<b>25mm</b>
<b>Capacity (concrete):</b>	<b>1.6mm/s</b>