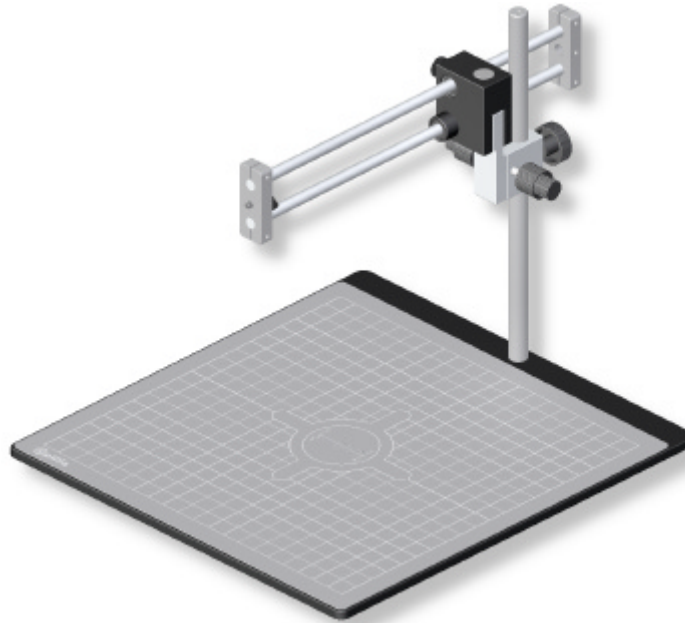


Focusing Stand, Coarse/Fine movement, Extra large Base, ESD-protected

Product No. OP-006 200



OP-006 200 is an ESD-protected stand with extra large rectangular base, precision fine and course rack & pinion Z-movement and range adjustment capability along Y-direction. This stand is specially developed for inspection of large specimens with Flexia video microscopes and W10x inspection cameras.

OP-006 200 is made of high quality stainless steel and anodised aluminium parts.

OP-006 200 might be ordered together with Long vertical rod and/or 4x tilt module. XY-Floating board may also be ordered for quick and smooth lateral displacement of inspecting objects in particular Printed circuit boards.

Specification:

- Coarse z-movement ● 330 mm
- Fine rack & pinion z-movement ● 40 mm
- Horizontal boom y-movement ● 320 mm
- Size of base plate ● 480 x 450 x 10mm
- Size of vertical rod ● 380 x ϕ 19mm ($\frac{3}{4}$ ")
- Earth point connection ● Male, 10 mm, flat
- Weight ● ~ 8.0 Kg.
- Extra accessories ● 4x-tilt module, Long vertical rod ϕ 19mm ($\frac{3}{4}$ ") L600mm (24").
46mm Wing screw with 15mm spacer for Flexia.

Long vertical rod, 600mm
Prod. No. OP-006 412
(optional)

Wing screw, L46mm with
L15mm spacer for Flexia
Prod. No. OP-006 596

Floating XY-board
Prod. No. OP-006 500
(optional)

4x Tilt Module
Prod. No. OP-006 334
(optional)

