

N₂ Soldering System

HAKKO FX-780

N. GENERATOR

N₂ Gas Generator



- Highest concentration of nitrogen gas: 99.9%
- Compact design reduces footprint.

HAKKO FX-791

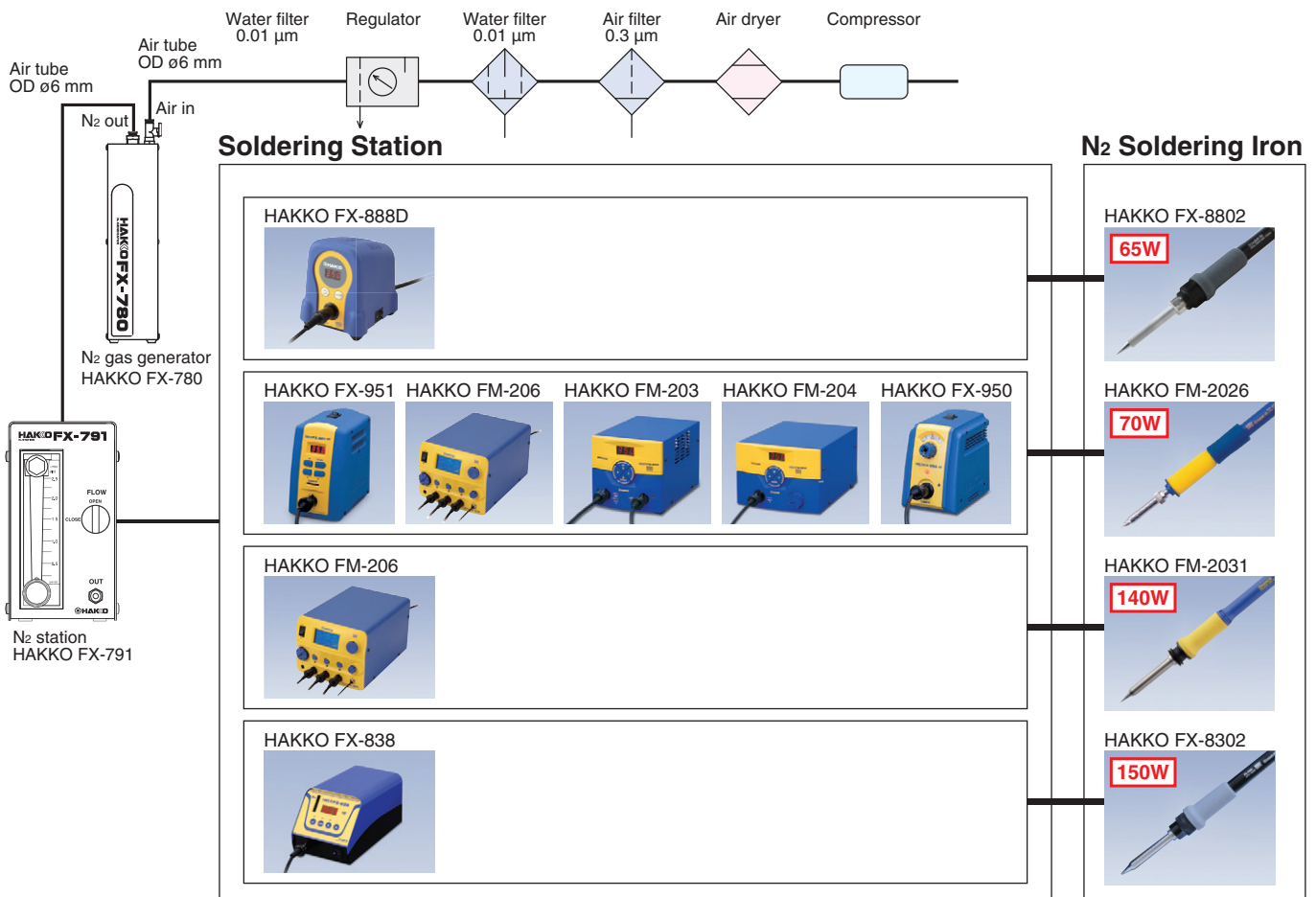
N. STATION

N₂ Flowmeter



- Flowmeter for N₂ soldering iron with flow control valve and regulator

Connection Method



* Select one.

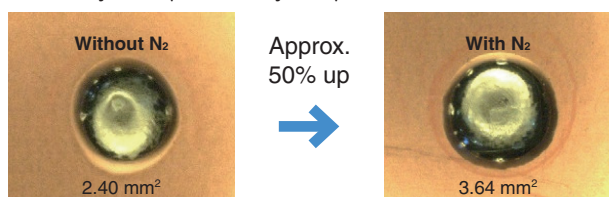
* Select one.



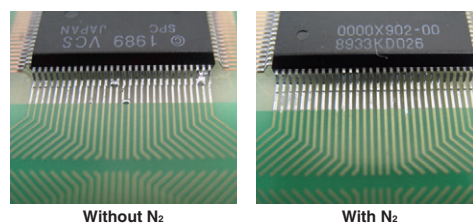
Set-up example
 HAKKO FX-780
 HAKKO FX-791
 HAKKO FX-951
 HAKKO FM-2026

Improved solderability

- Wettability and spreadability comparisons



- Less bridging occurs even for components susceptible to bridging.



Specifications

Model No.	FX-780
Air supply pressure	0.3 to 0.7 MPa
Concentration of generated N ₂	99.9% (max.)
Amount of generated N ₂	1.5 L/min. (When compressed air of 0.5 MPa is supplied at 25°C, the concentration of the generated nitrogen is 98%.)
Dimensions*	73 (W) × 282 (H) × 71 (L) mm
Weight**	1.5 kg

* Without sockets and valve

** Without racks

Model No.	FX-791
Pressure of discharged gas	0.2 MPa (2.0 kgf/cm ²)
Gas flow	0.25 to 2.5 L/min.
Dimensions	70 (W) × 121 (H) × 134 (D) mm
Weight	600 g

Packing List

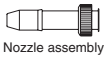
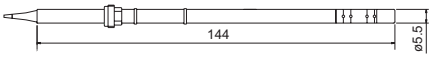
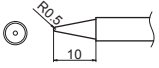
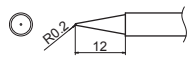
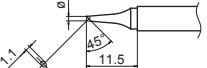
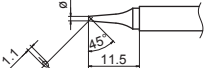
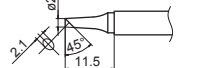
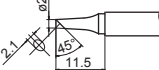
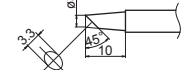
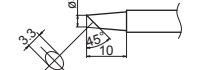
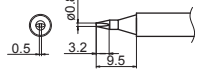
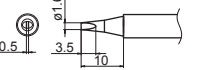

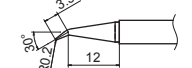
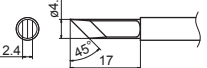
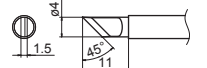
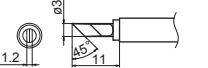
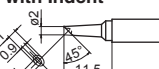
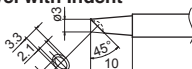
FX-780	Unit, Rack for unit (2 pcs), Instruction manual
--------	---

FX-791	Unit, Instruction manual
--------	--------------------------

Optional Tips and Nozzle Assemblies for the FM-2026

Tip and nozzle assembly are supplied separately. Please purchase a compatible nozzle assembly for your tip referring the chart below.

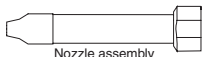
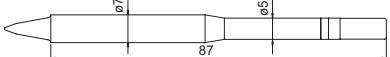
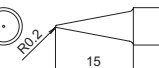
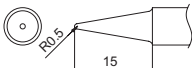
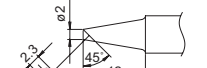
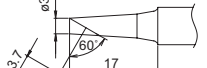
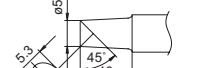


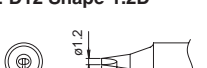

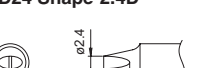
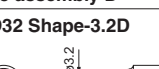
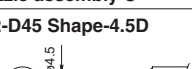
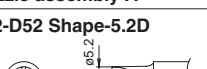
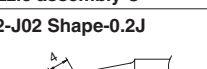
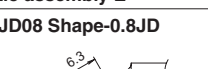

Unit: mm

				
T17-B2 Shape-0.5B 	T17-BL Shape-BL 	T17-BC1 Shape-1BC 	T17-BCF1* Shape-1BC 	T17-BC2 Shape-2BC 
B2708 Nozzle assembly C	B2898 Nozzle assembly E	B2899 Nozzle assembly F	B2899 Nozzle assembly F	B2706 Nozzle assembly A
T17-BCF2* Shape-2BC 	T17-BC3 Shape-3BC 	T17-BCF3* Shape-3BC 	T17-D08 Shape-0.8D 	T17-D16 Shape-1.6D 
B2706 Nozzle assembly A	B2900 Nozzle assembly G	B2900 Nozzle assembly G	B2709 Nozzle assembly D	B2708 Nozzle assembly C
T17-D24 Shape-2.4D 	T17-J02 Shape-0.2J 	T17-KF Shape-KF 	T17-KR Shape-KR 	T17-KU Shape-KU 
B2708 Nozzle assembly C	B2707 Nozzle assembly B	B2923 Nozzle assembly J	B2902 Nozzle assembly I	B2901 Nozzle assembly H
T17-BCM2 Shape-2BC Bevel with Indent 	T17-BCM3 Shape-3BC Bevel with Indent 	* These tips are tinned on the soldering surface only.		
B2706 Nozzle assembly A	B2900 Nozzle assembly G			

Optional Tips and Nozzle Assemblies for the FM-2031

Tip and nozzle assembly are supplied separately. Please purchase a compatible nozzle assembly for your tip referring the chart below.

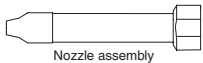
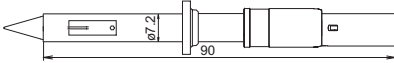
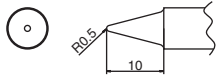
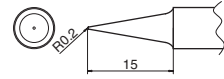
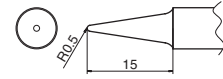
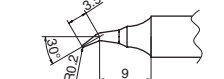
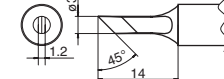
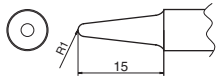
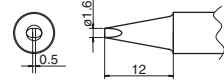
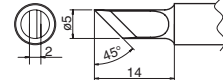
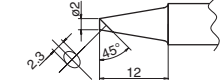
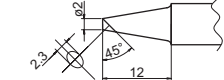
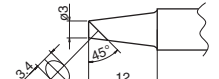

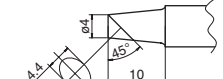
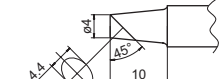
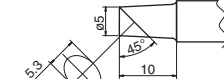

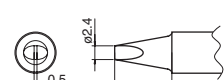
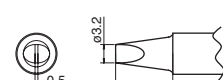
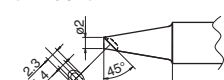
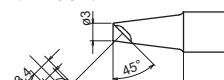
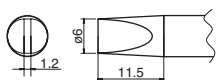
Unit: mm

				
T22-BL Shape-BL 	T22-BL2 Shape-2BL 	T22-BC2 Shape-2BC 	T22-C3 Shape-3C 	T22-C5 Shape-5C 
B3121 Nozzle assembly A	B3121 Nozzle assembly A	B3121 Nozzle assembly A	B3121 Nozzle assembly A	B3124 Nozzle assembly D
T22-C6 Shape-6C 	T22-D08 Shape-0.8D 	T22-D12 Shape-1.2D 	T22-D16 Shape-1.6D 	T22-D24 Shape-2.4D 
B3124 Nozzle assembly D	B3123 Nozzle assembly C	B3121 Nozzle assembly A	B3123 Nozzle assembly C	B3561 Nozzle assembly E
T22-D32 Shape-3.2D 	T22-D45 Shape-4.5D 	T22-D52 Shape-5.2D 	T22-J02 Shape-0.2J 	T22-JD08 Shape-0.8JD 
B3124 Nozzle assembly D	B3124 Nozzle assembly D	B3124 Nozzle assembly D	B3121 Nozzle assembly A	B3561 Nozzle assembly E
T22-K Shape-K 	* These tips are tinned on the soldering surface only.			
B3123 Nozzle assembly C				

Optional Tips and Nozzle Assemblies for the FX-8302

Tip and nozzle assembly are supplied separately. Please purchase a compatible nozzle assembly for your tip referring the chart below.

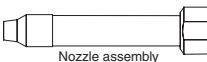
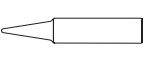
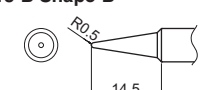
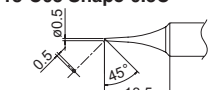
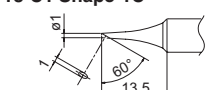
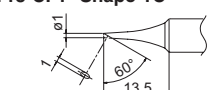
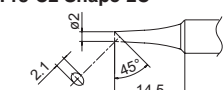
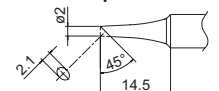
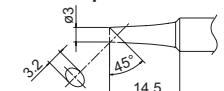
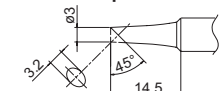
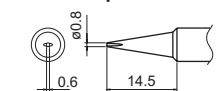
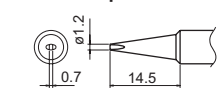
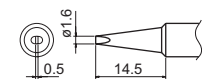
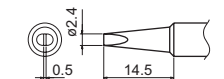
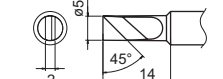
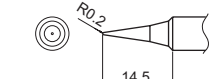
Unit: mm

 				
 T20-B2 Shape-0.5B	 T20-BL Shape-BL	 T20-BL2 Shape-2BL	 T20-J02 Shape-0.2J (0.2RSB)	 T20-KU Shape-KU
B3121 Nozzle assembly A	B3121 Nozzle assembly A	B3121 Nozzle assembly A	B3122 Nozzle assembly B	B3122 Nozzle assembly B
 T20-BL3 Shape-3BL	 T20-D16 Shape-1.6D	 T20-K Shape-K	 T20-BC2 Shape-2BC	 T20-BCF2* Shape-2BC
B3123 Nozzle assembly C	B3123 Nozzle assembly C	B3123 Nozzle assembly C	B3124 Nozzle assembly D	B3124 Nozzle assembly D
 T20-BC3 Shape-3BC	 T20-BCF3* Shape-3BC	 T20-BC4 Shape-4BC	 T20-BCF4* Shape-4BC	 T20-C5 Shape-5C
B3124 Nozzle assembly D	B3124 Nozzle assembly D	B3124 Nozzle assembly D	B3124 Nozzle assembly D	B3124 Nozzle assembly D
 T20-C6 Shape-6C	 T20-D24 Shape-2.4D	 T20-D32 Shape-3.2D	 T20-BCM2 Shape-2BC with Indent	 T20-BCM3 Shape-3BC with Indent
B3124 Nozzle assembly D	B3124 Nozzle assembly D	B3124 Nozzle assembly D	B3124 Nozzle assembly D	B3124 Nozzle assembly D
 T20-D6 Shape-6D	<p>* These tips are tinned on the soldering surface only.</p>			
B3561 Nozzle assembly E				

Replacement Tips and Nozzle Assemblies for the FX-8802

Tip and nozzle assembly are supplied separately. Please purchase a compatible nozzle assembly for your tip referring the chart below.

Unit: mm

 				
 T18-B Shape-B	 T18-C05 Shape-0.5C	 T18-C1 Shape-1C	 T18-CF1* Shape-1C	 T18-C2 Shape-2C
B3662 Nozzle assembly A	B3664 Nozzle assembly C	B3664 Nozzle assembly C	B3664 Nozzle assembly C	B3662 Nozzle assembly A
 T18-CF2* Shape-2C	 T18-C3 Shape-3C	 T18-CF3* Shape-3C	 T18-D08 Shape-0.8D	 T18-D12 Shape-1.2D
B3662 Nozzle assembly A	B3663 Nozzle assembly B	B3663 Nozzle assembly B	B3662 Nozzle assembly A	B3662 Nozzle assembly A
 T18-D16 Shape-1.6D	 T18-D24 Shape-2.4D	 T18-K Shape-K	 T18-I Shape-I	<p>* These tips are tinned on the soldering surface only.</p>
B3663 Nozzle assembly B	B3663 Nozzle assembly B	B3665 Nozzle assembly D	B3664 Nozzle assembly C	